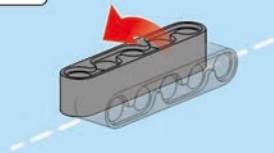
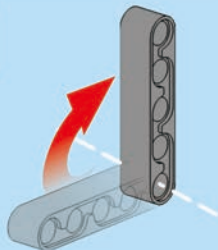
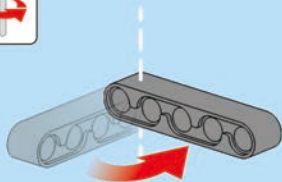
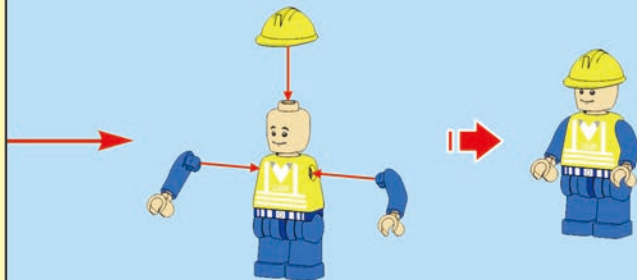
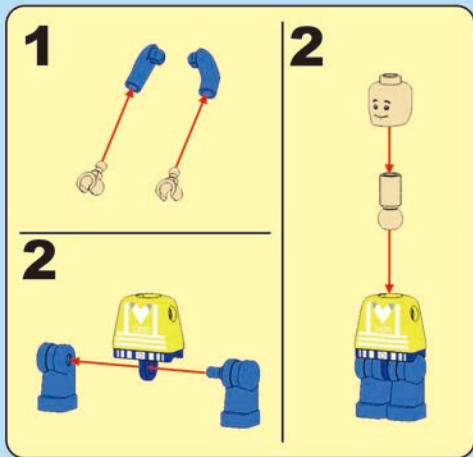


EVOPLAY



ИНСТРУКЦИЯ
ДЛЯ СБОРКИ





x2

x1

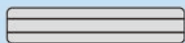
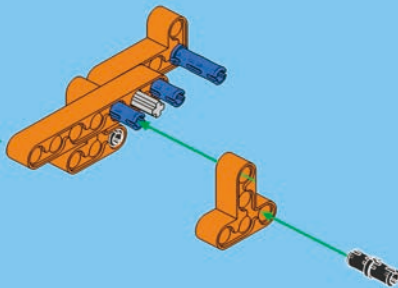
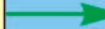
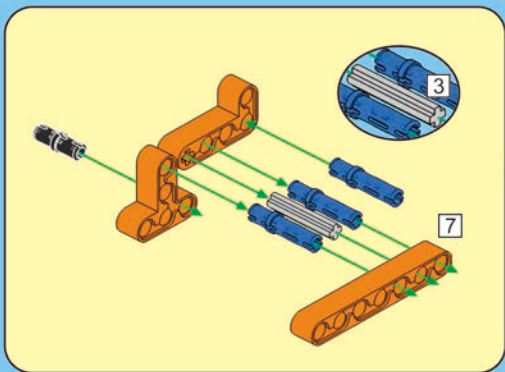
x3

x1

x2

x1

A1

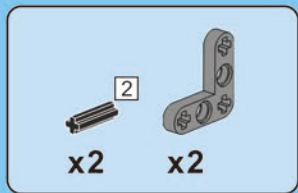


3

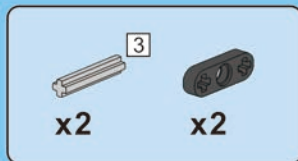
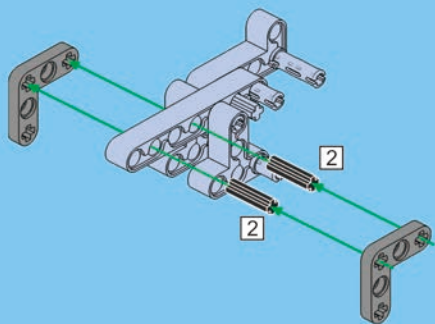


7

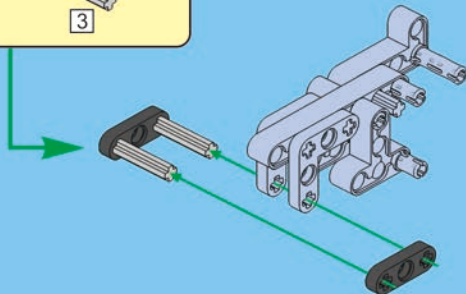
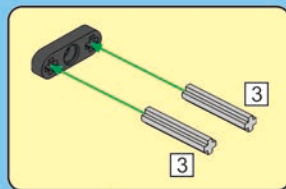
1:1

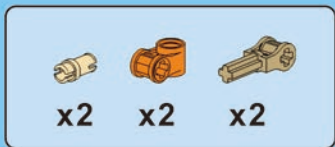


A2

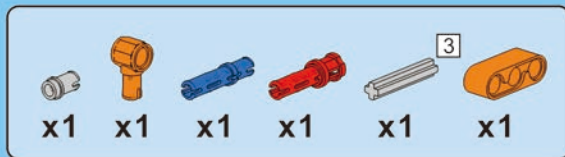
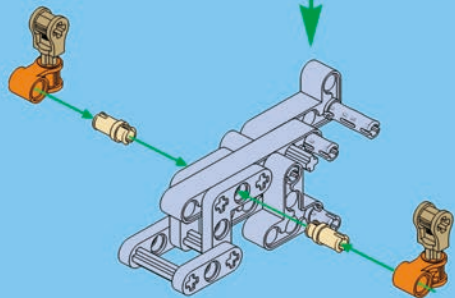
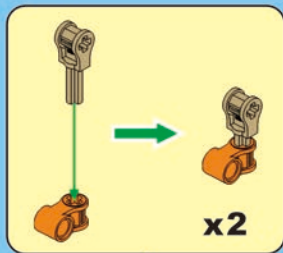


A3

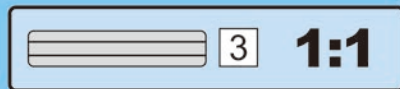
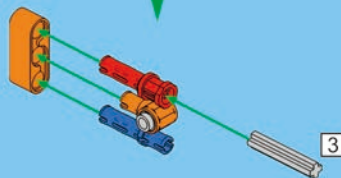
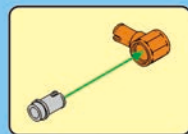


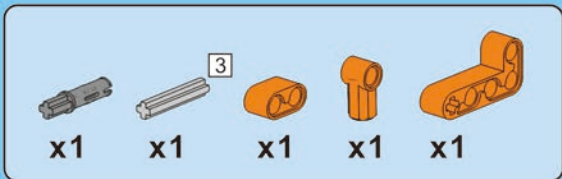


A4



A5

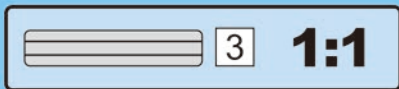
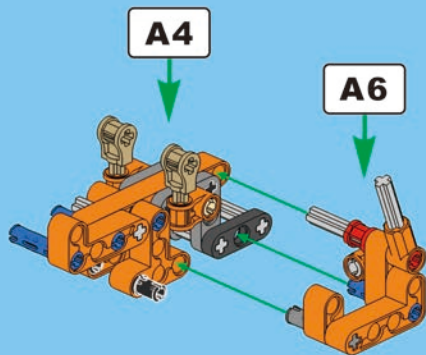
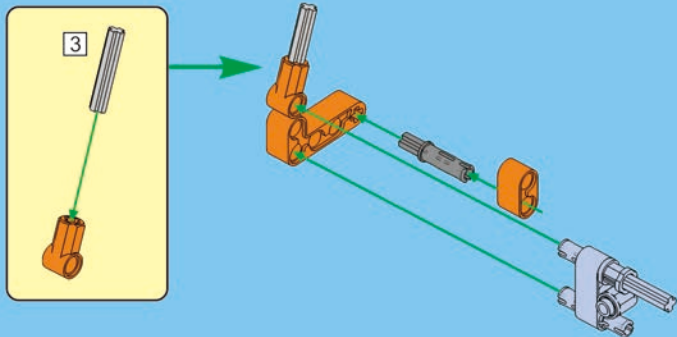


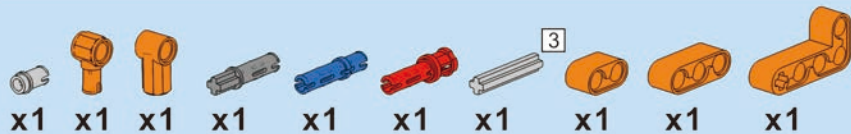


A7



A6

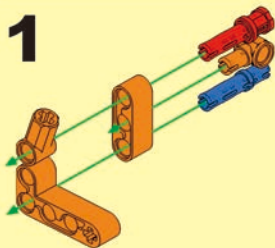




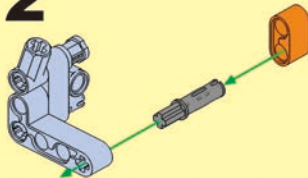
A8



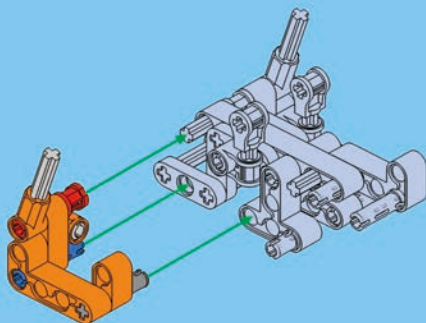
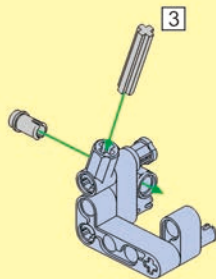
1



2

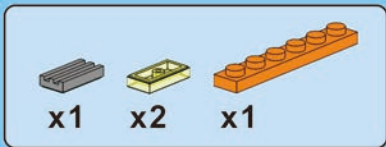


3

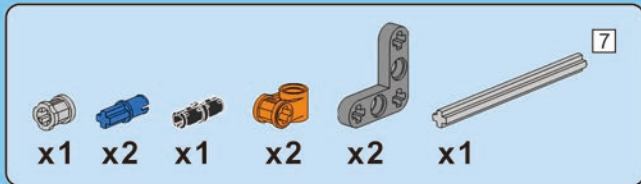
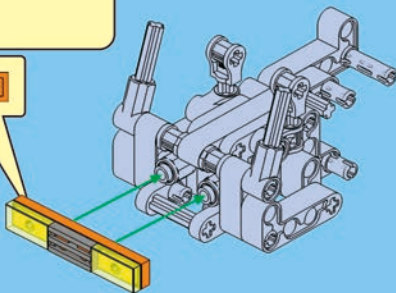
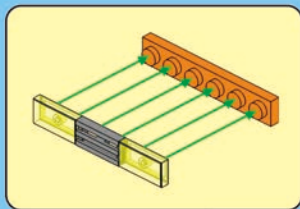


3

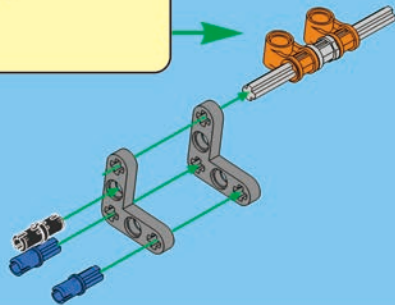
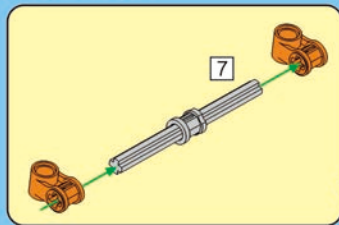
1:1

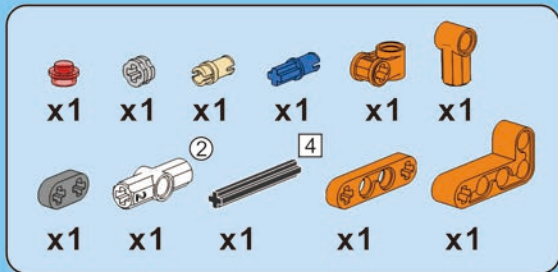


A9

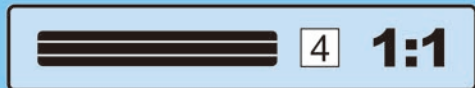
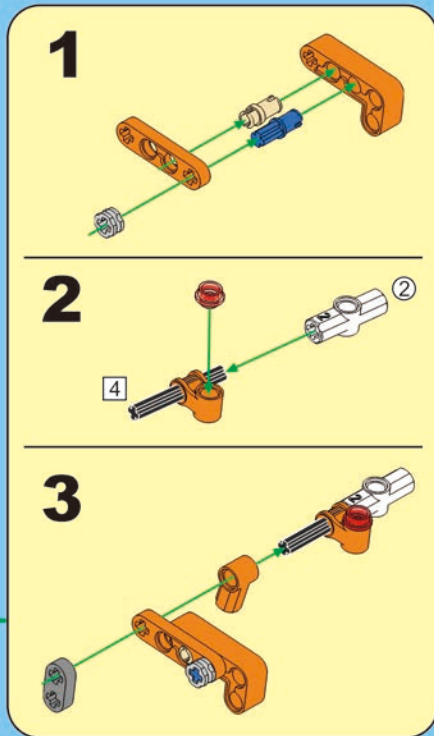
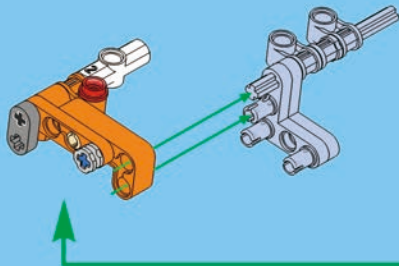


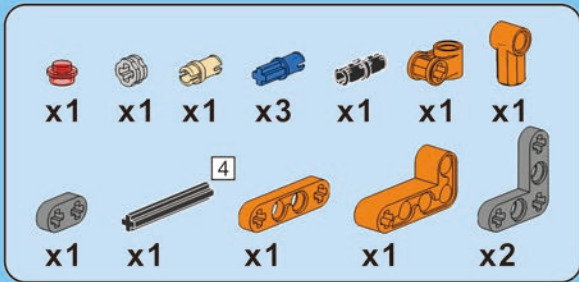
A10



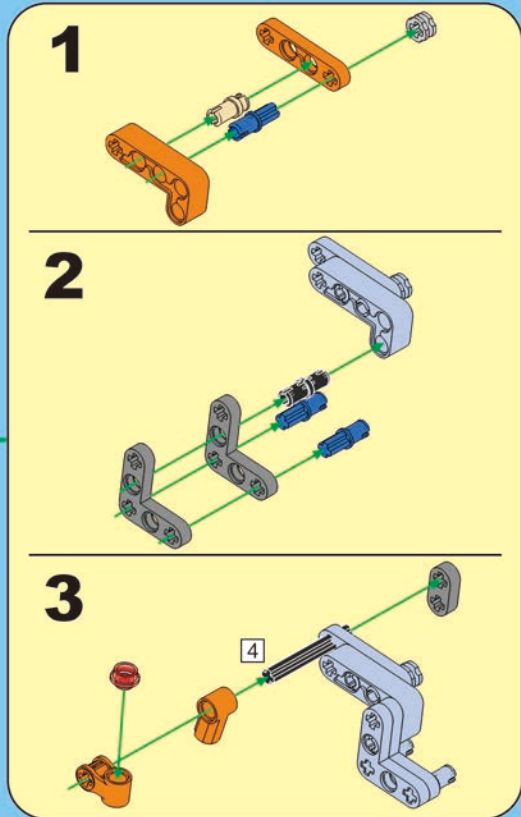
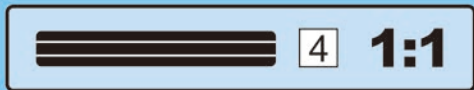
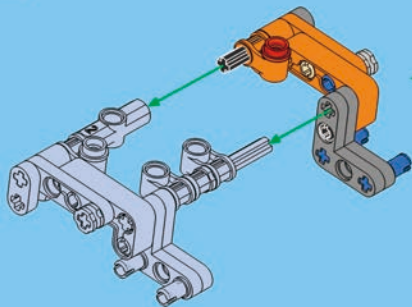


A11

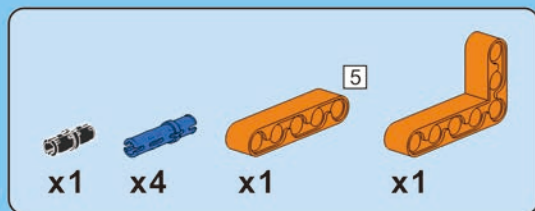
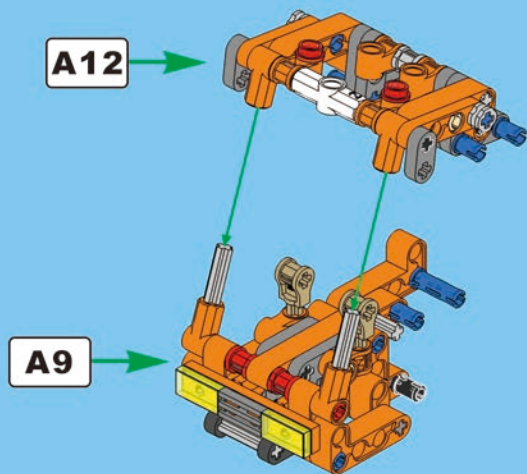




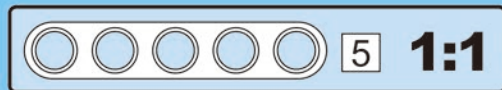
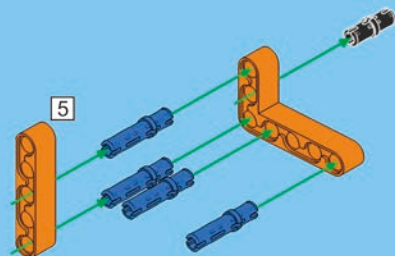
A12

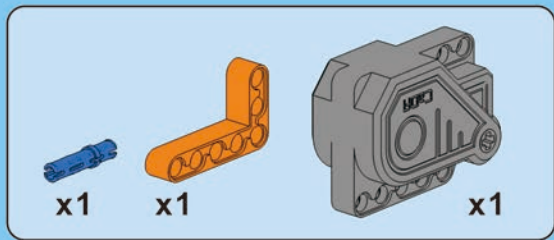


A13

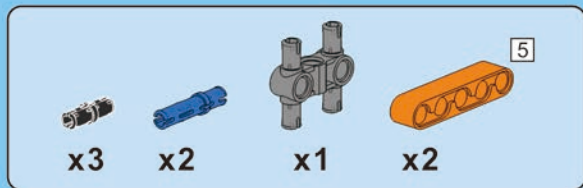
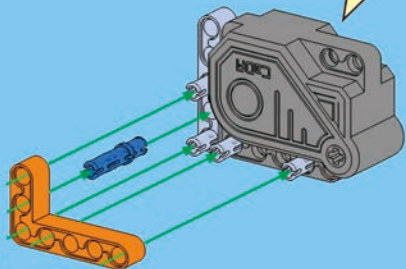
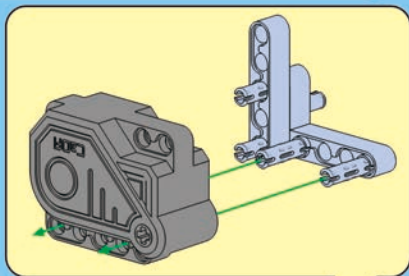


A14

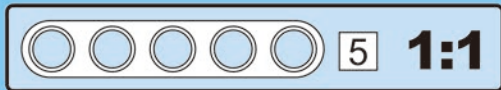
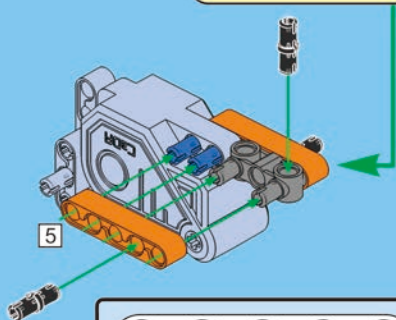
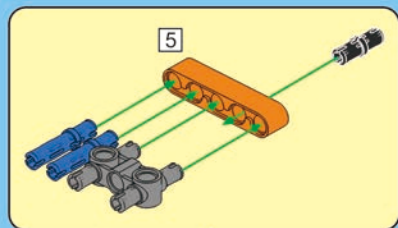




A15

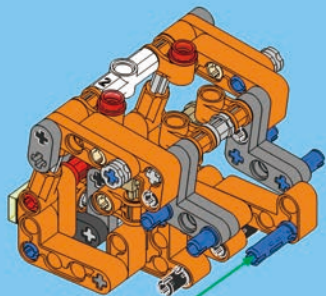


A16

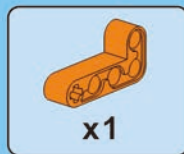
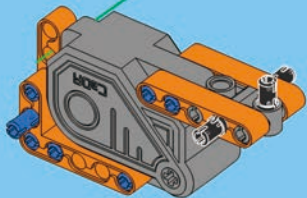


A17

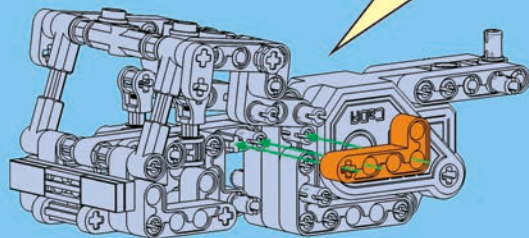
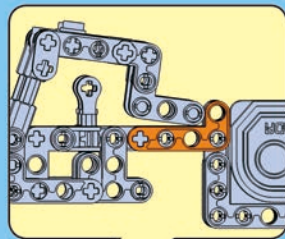
A13

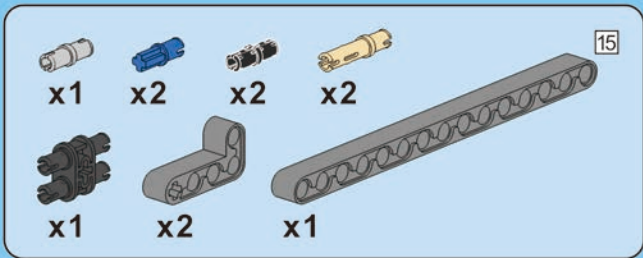


A16

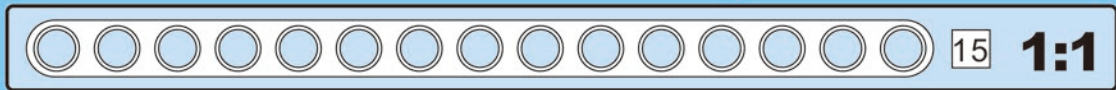
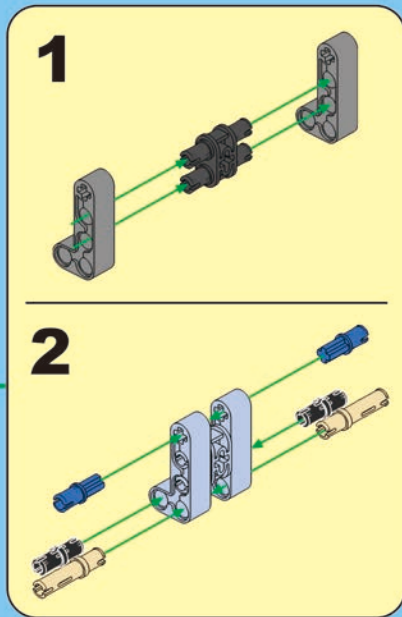
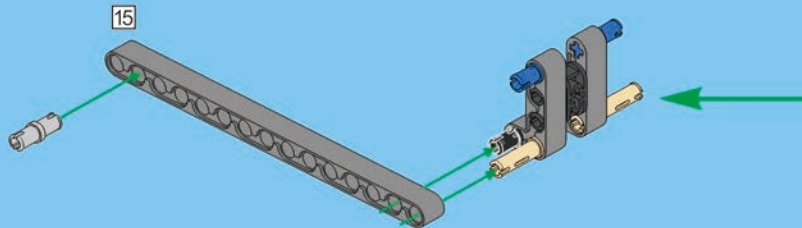


A18

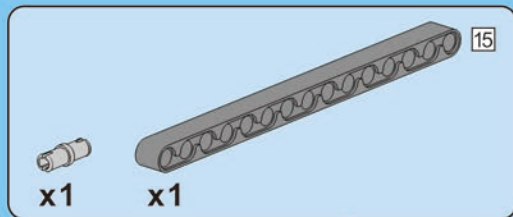
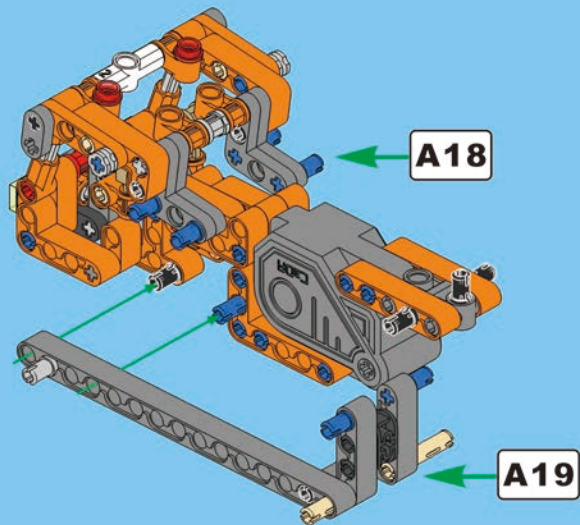




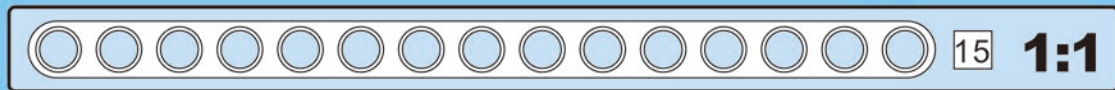
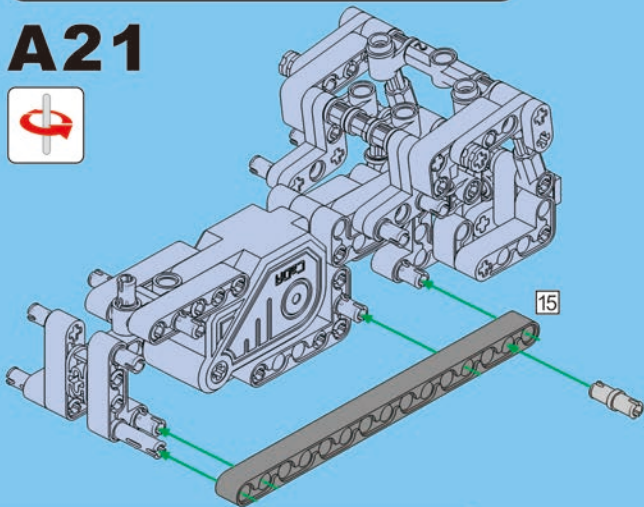
A19

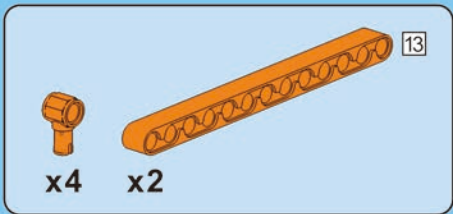


A20

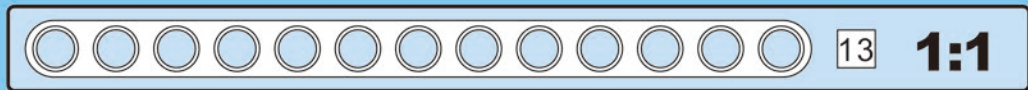
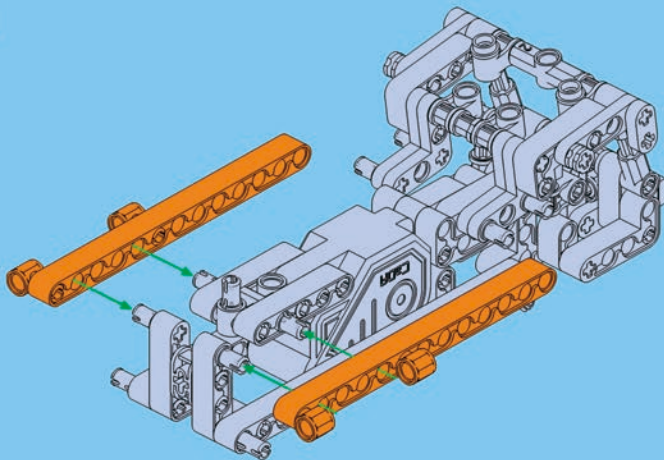
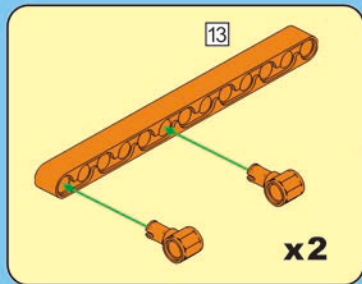


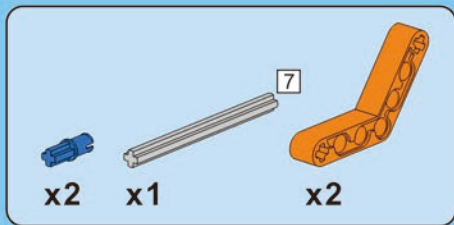
A21



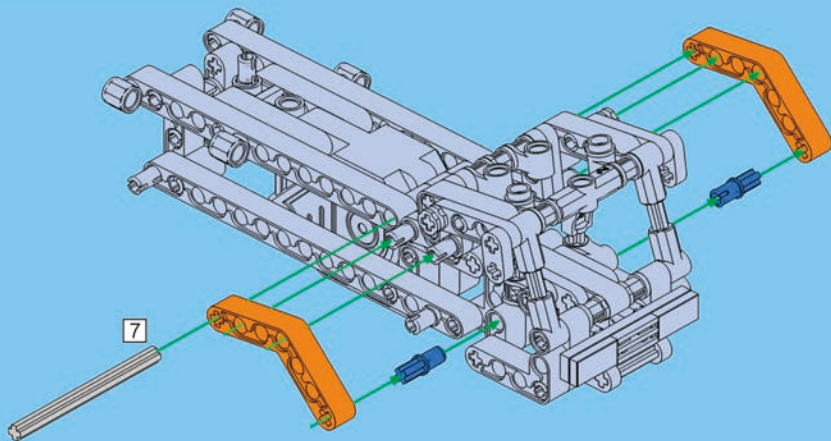


A22





A23





x2



x3



x1



x1

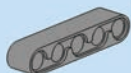


x1

3



x1

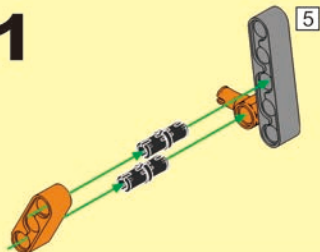


5

x1

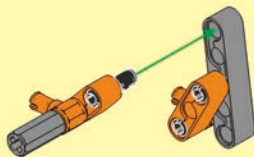
A24

1

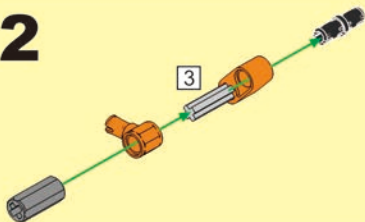


5

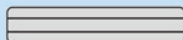
3



2



3



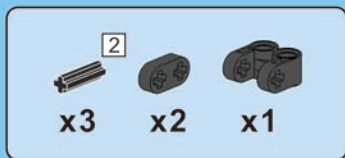
3

1:1

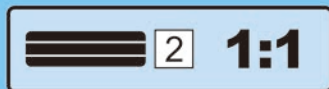
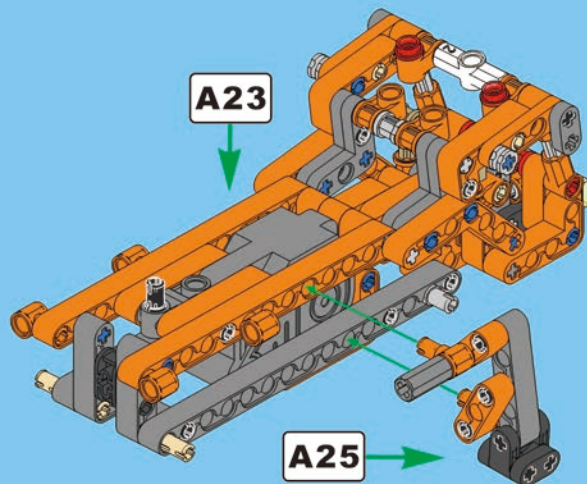
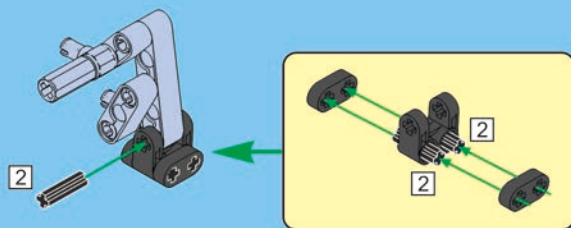


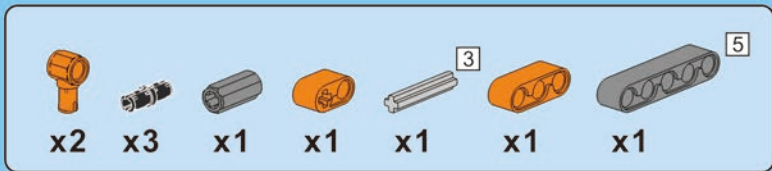
5

A26

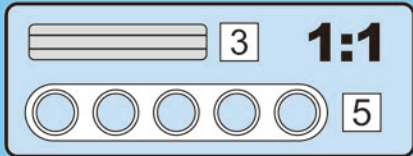
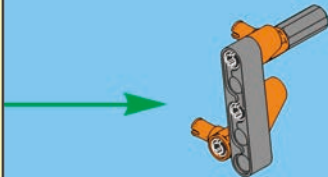
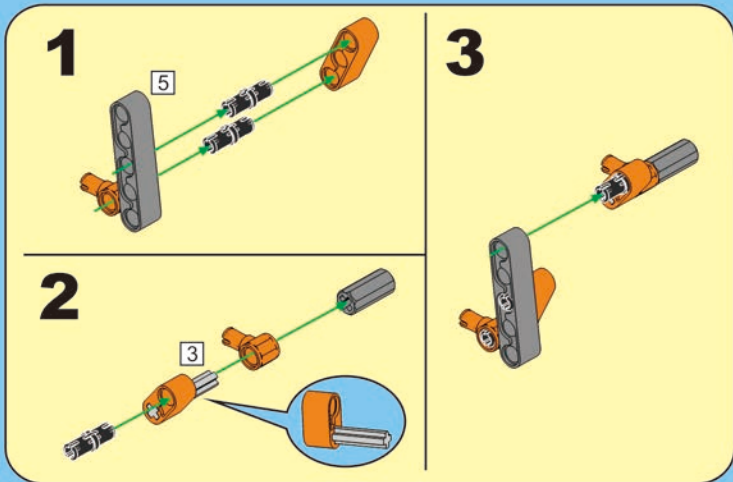


A25

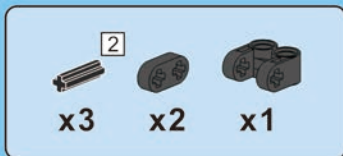




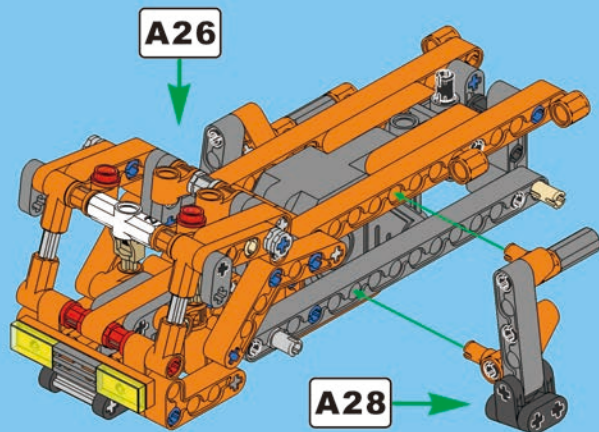
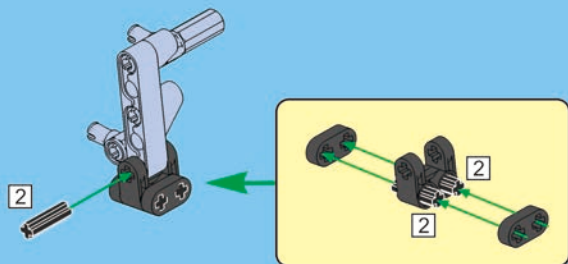
A27

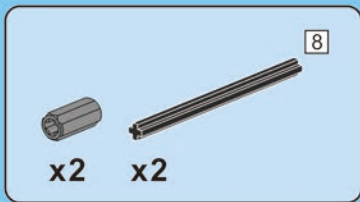


A29

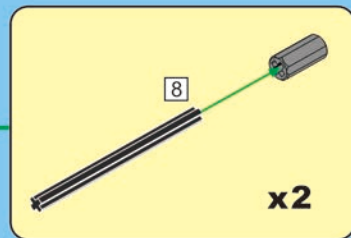
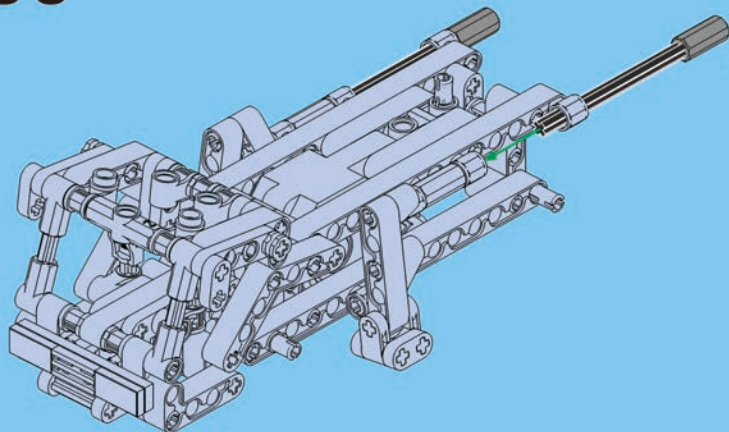


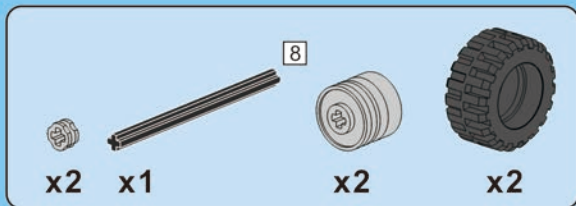
A28



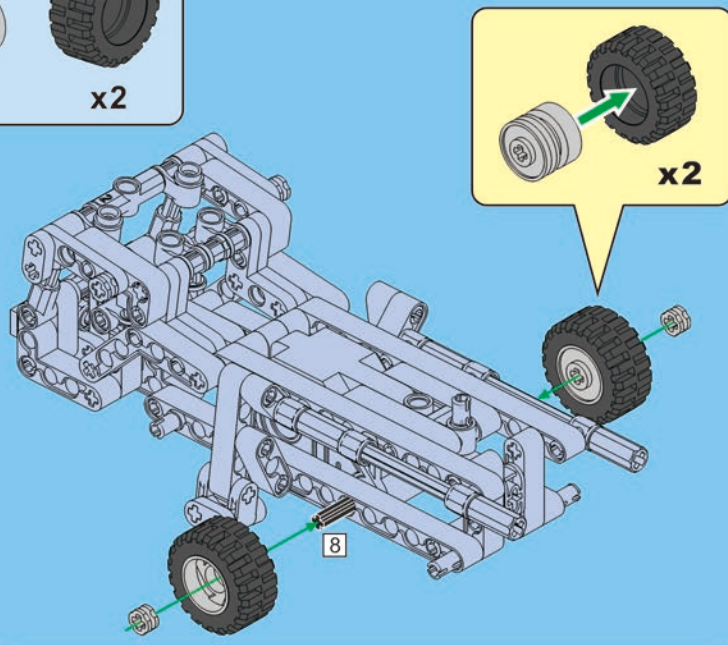
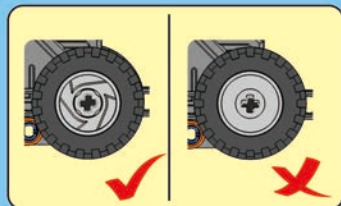


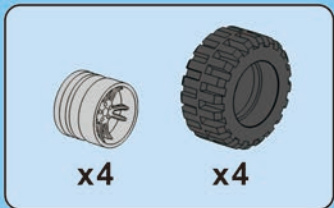
A30



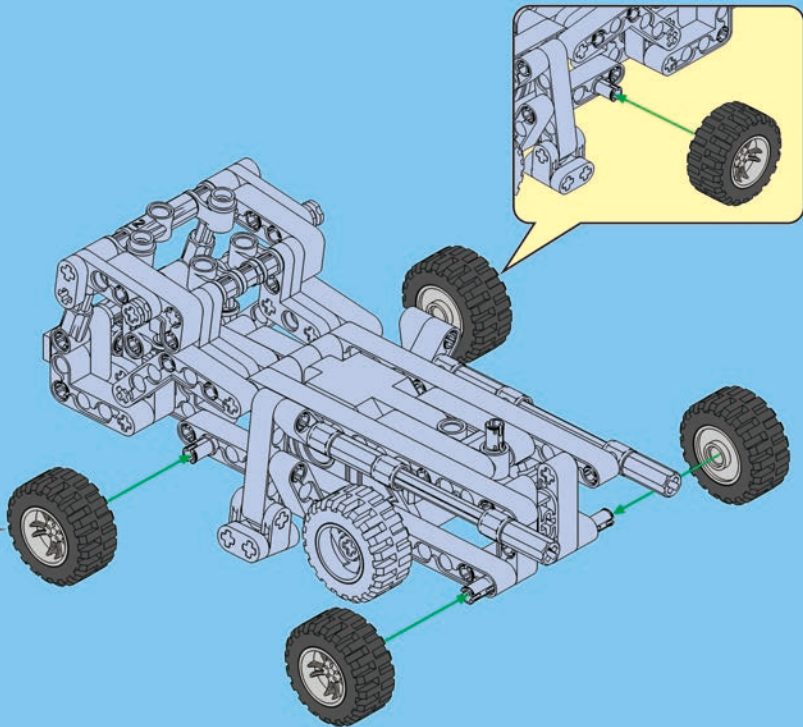


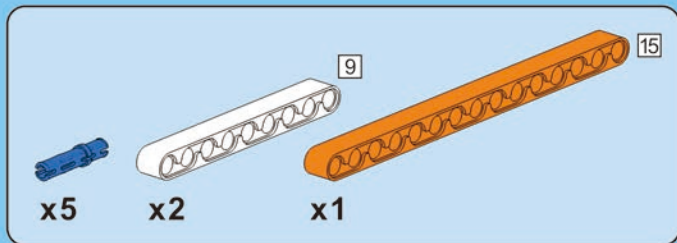
A31



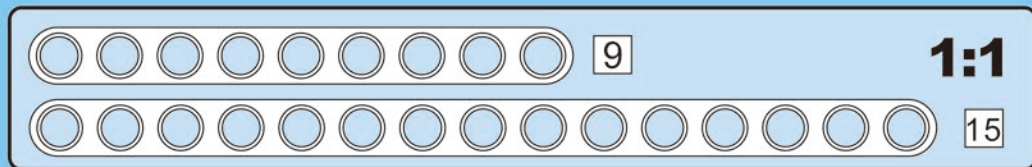
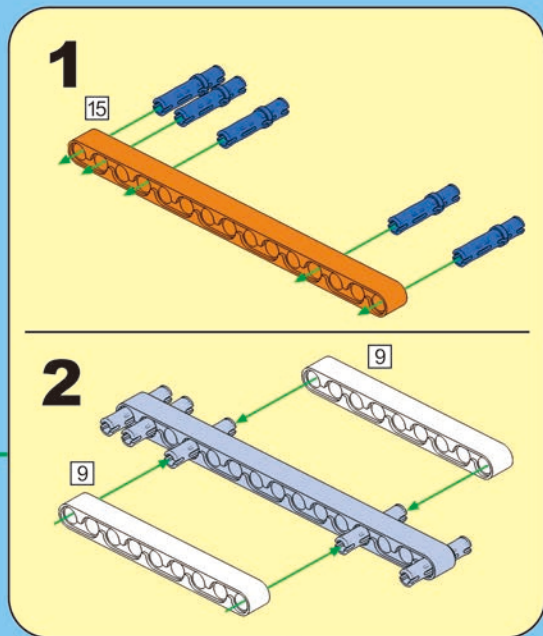
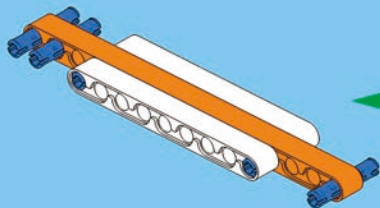


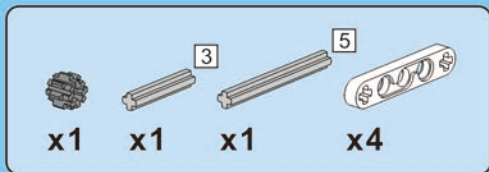
A32



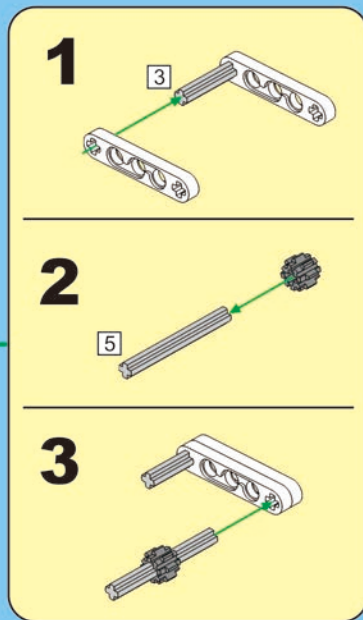
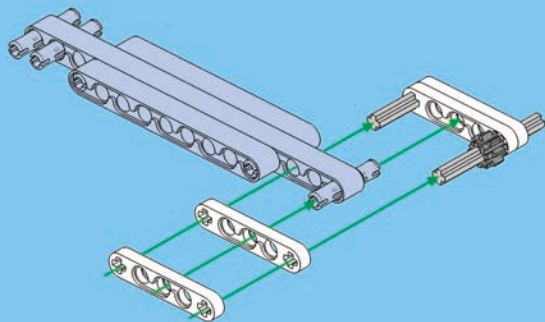


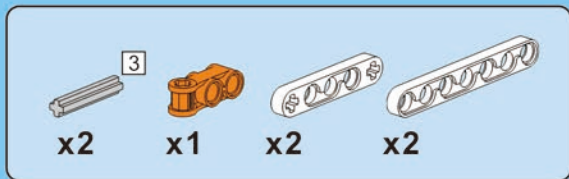
A33



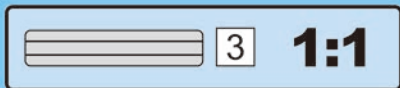
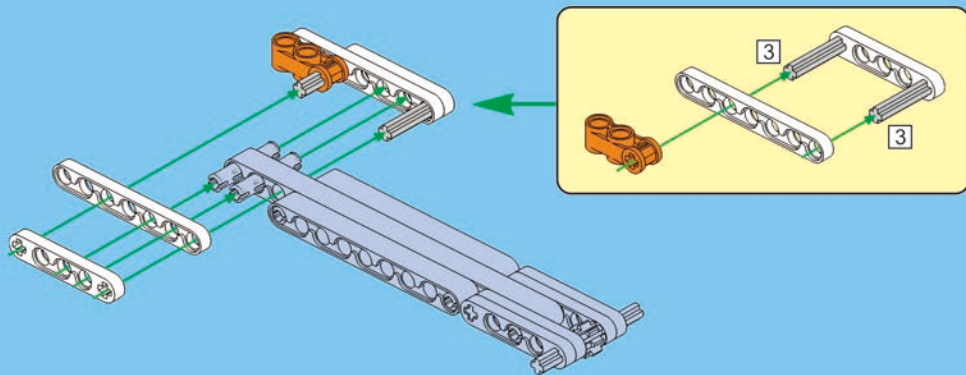


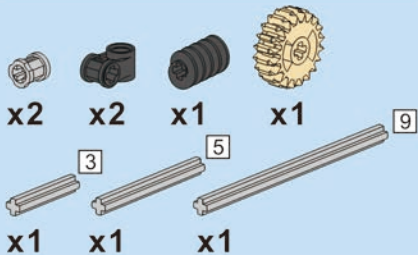
A34



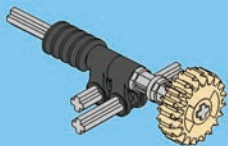


A35

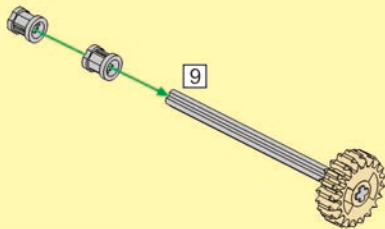




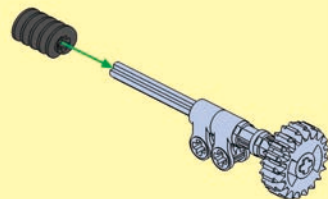
A36



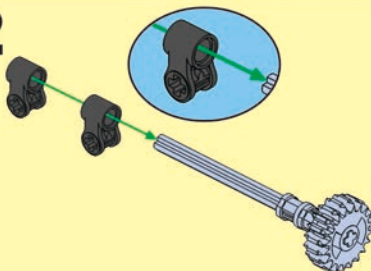
1



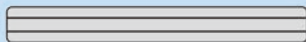
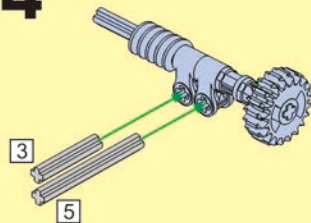
3



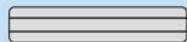
2



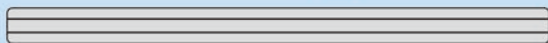
4



5

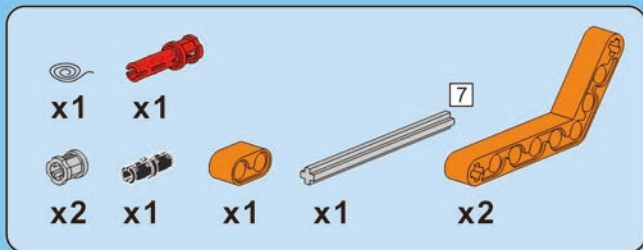


3

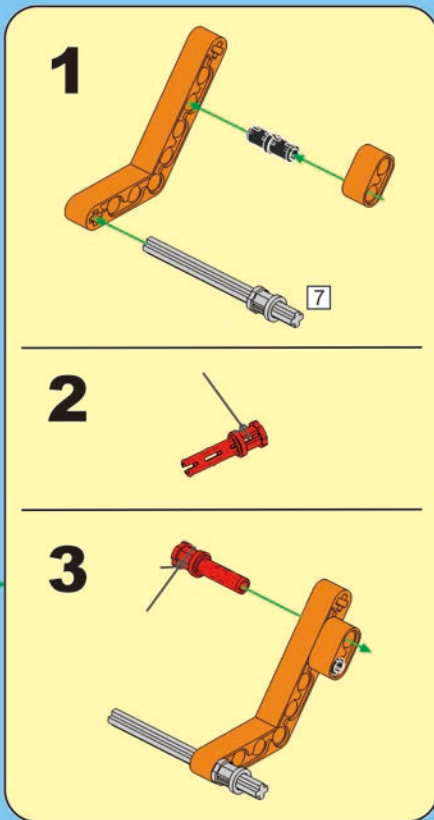
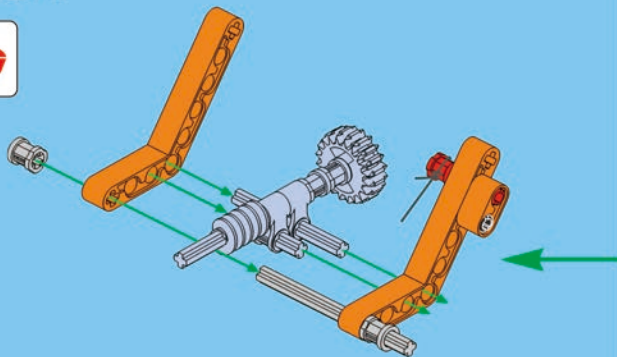


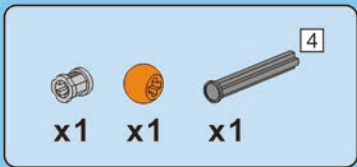
9

1:1

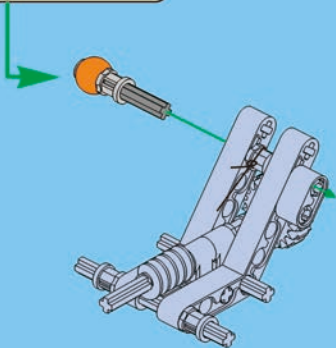
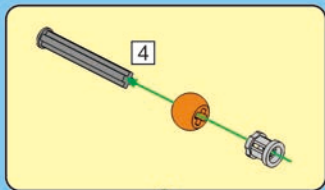


A37

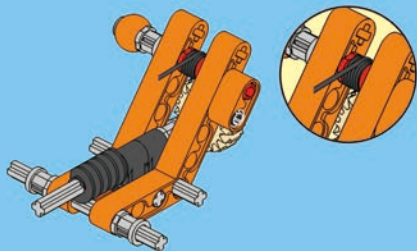
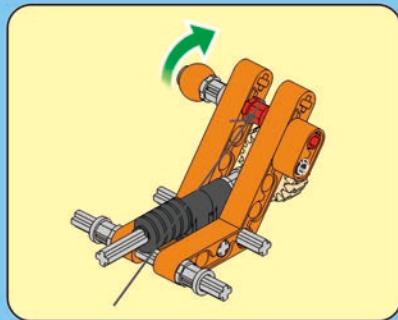




A38

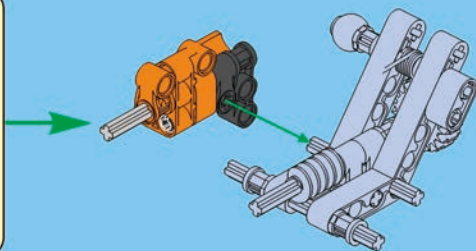
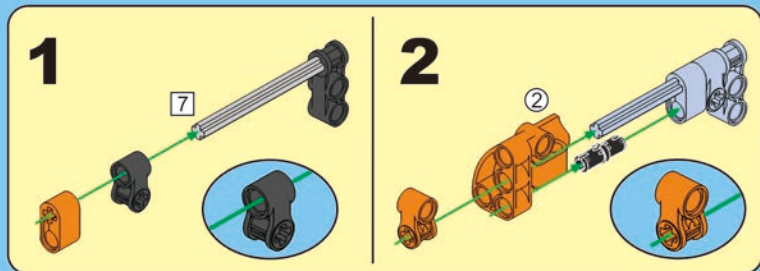


A39



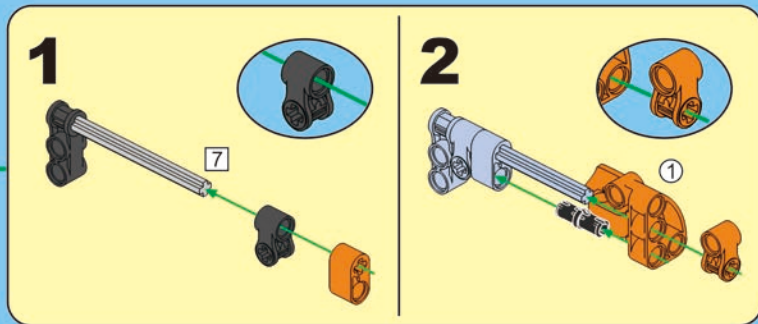
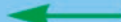
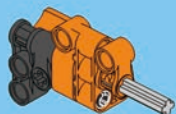


A40

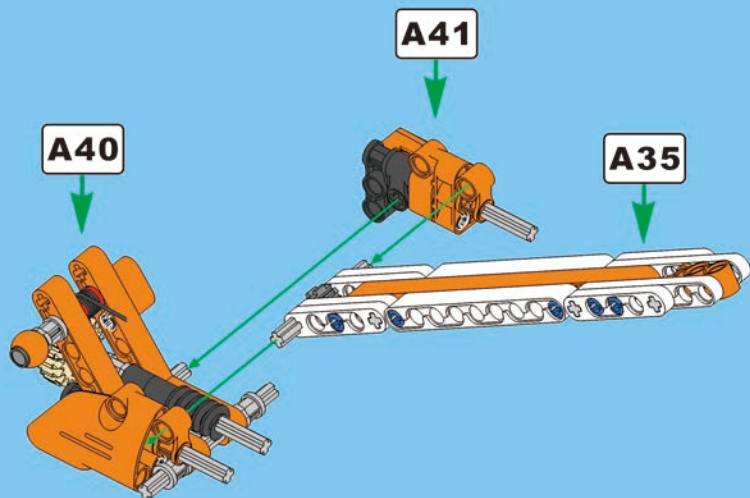




A41

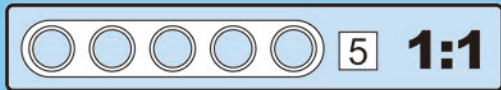
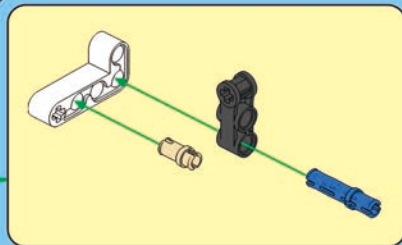
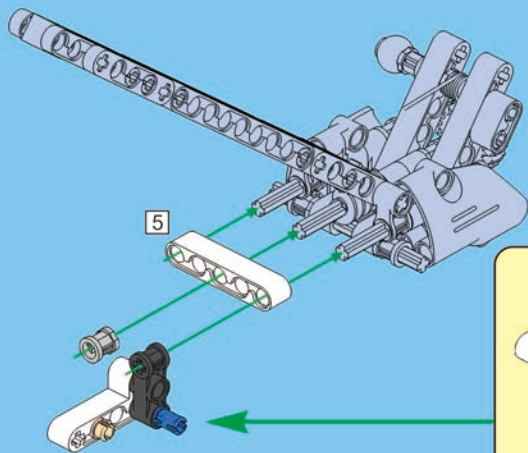


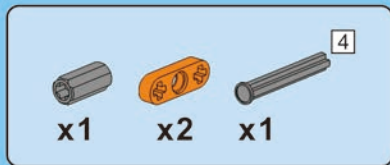
A42



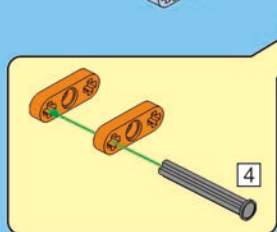
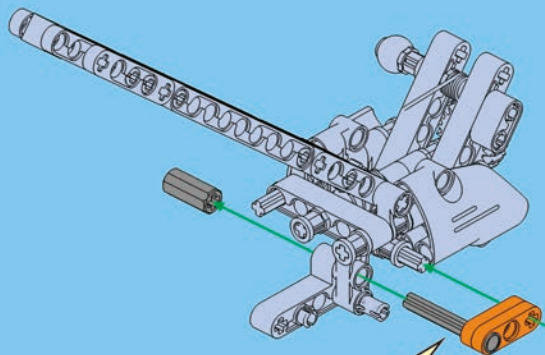


A43

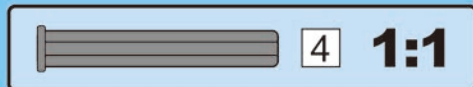
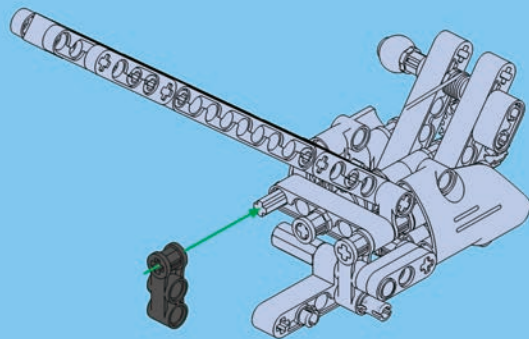


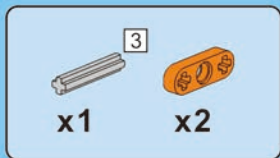


A44

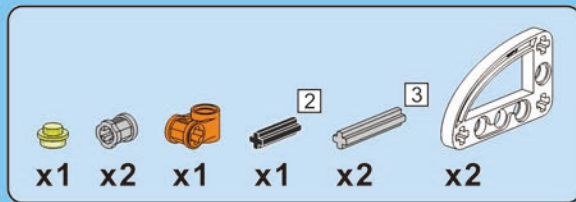
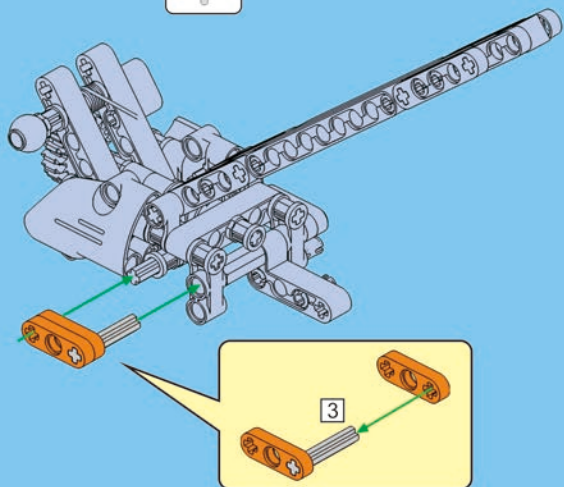


A45

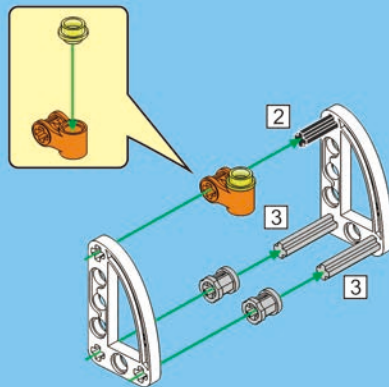




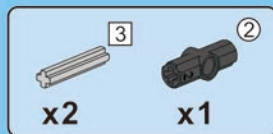
A46



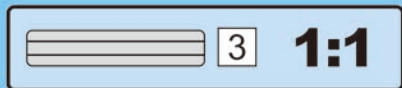
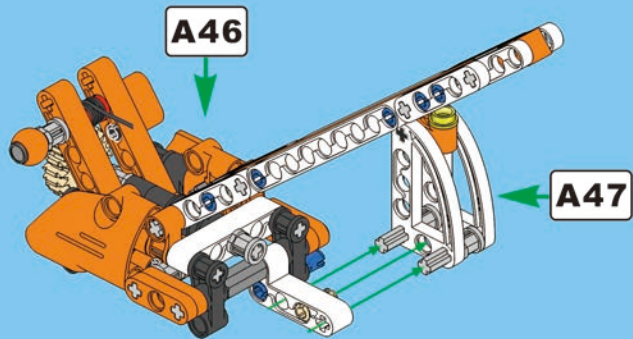
A47

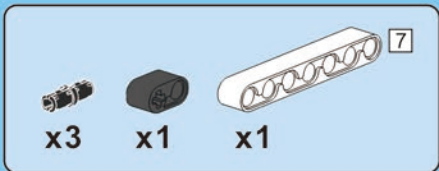


A48

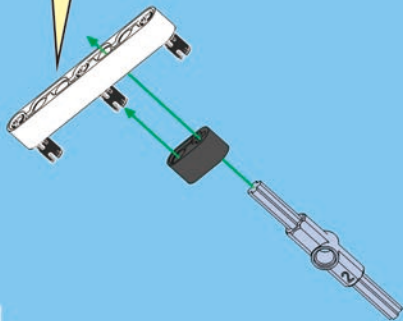
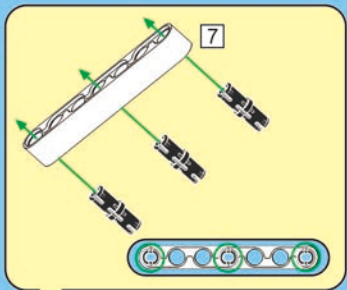


A49

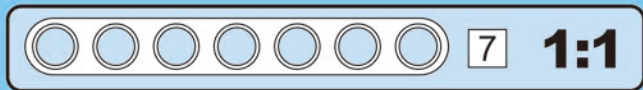
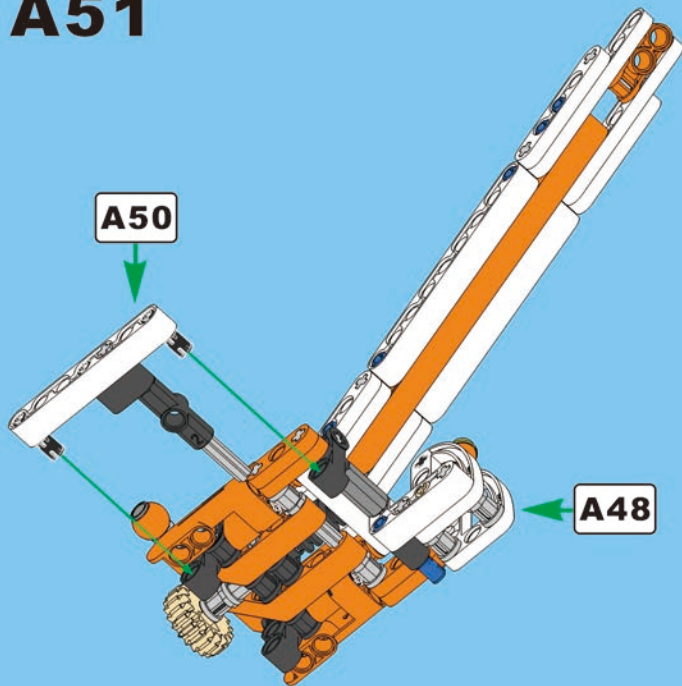


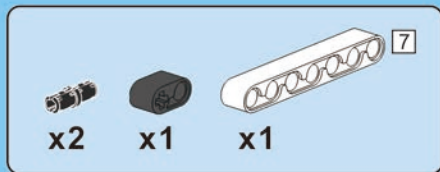


A50

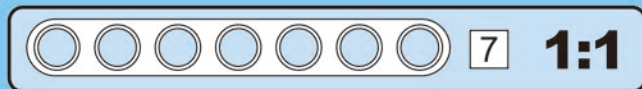
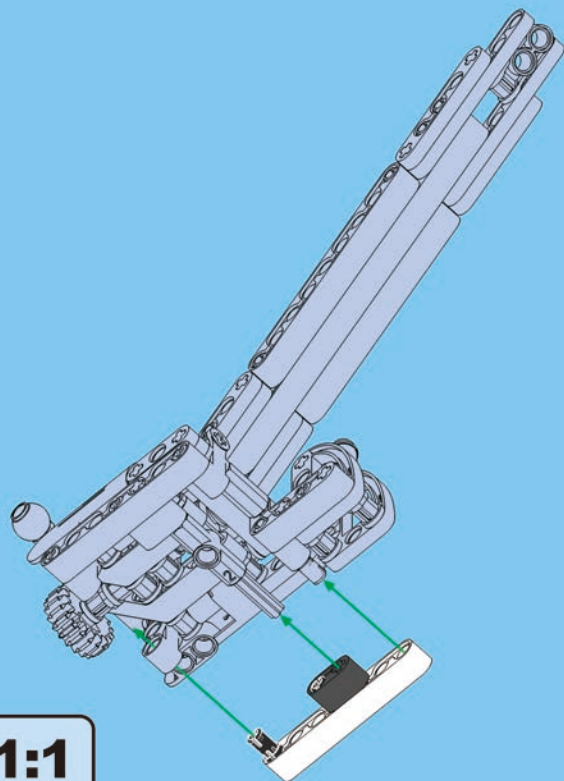
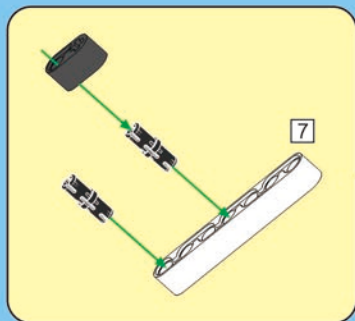


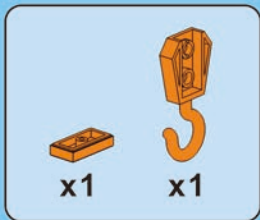
A51



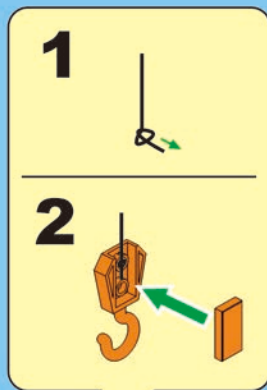
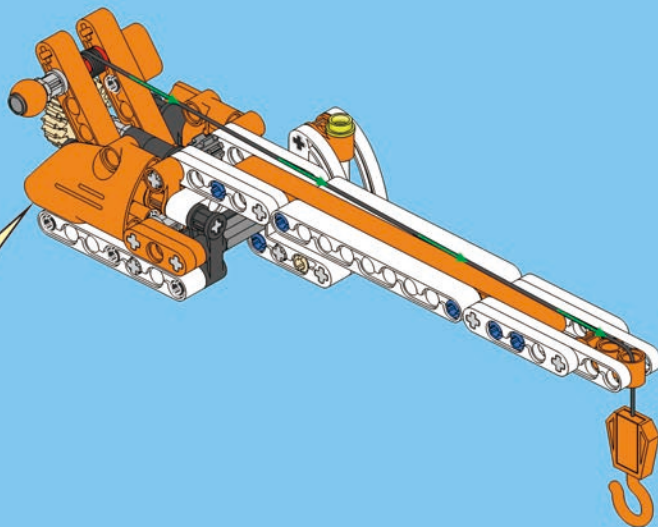
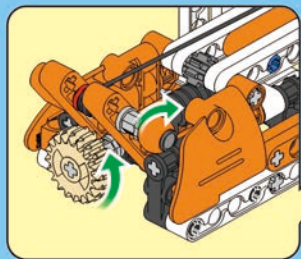


A52



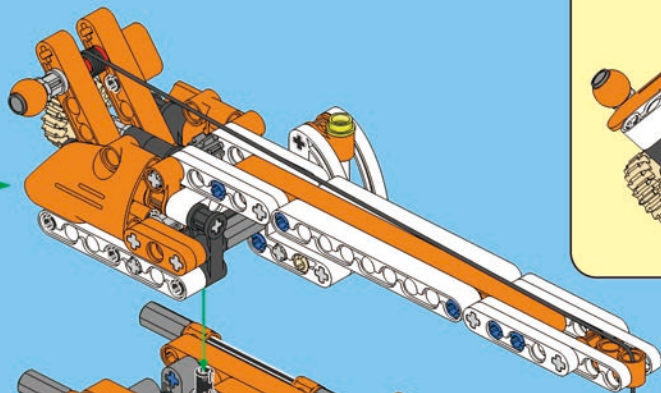


A53

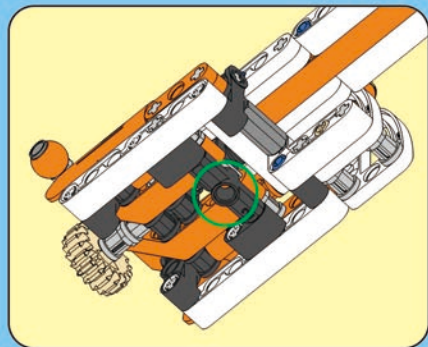
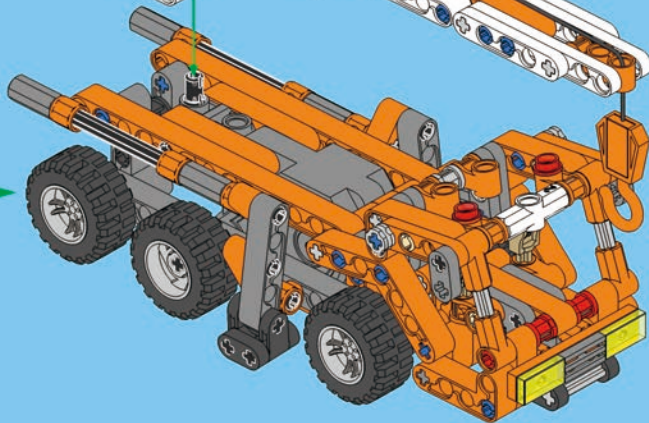


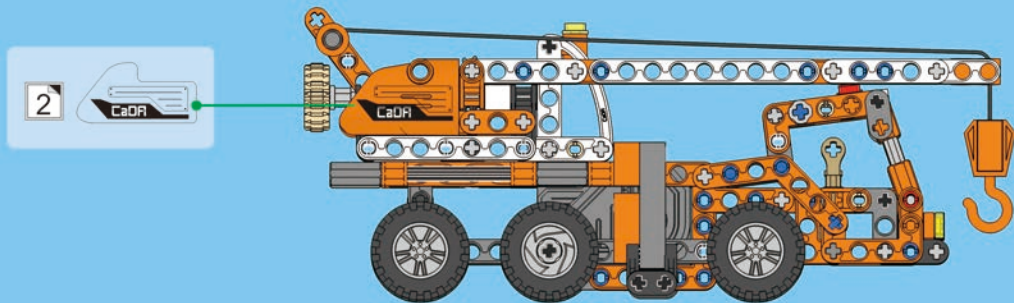
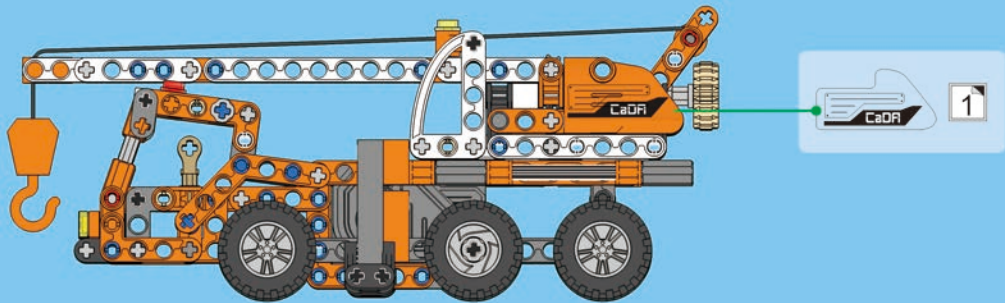
A54

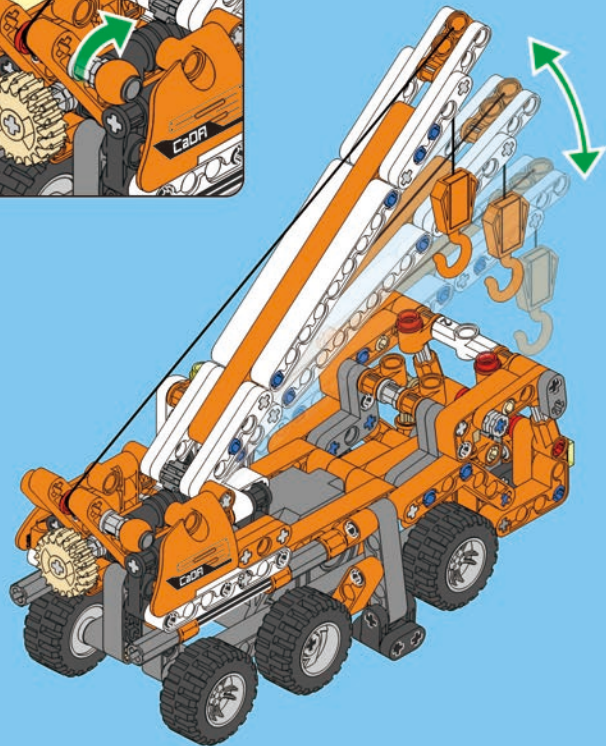
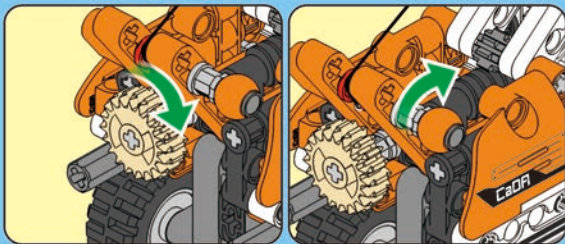
A53

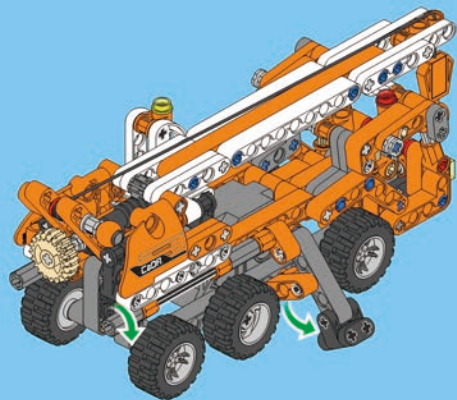
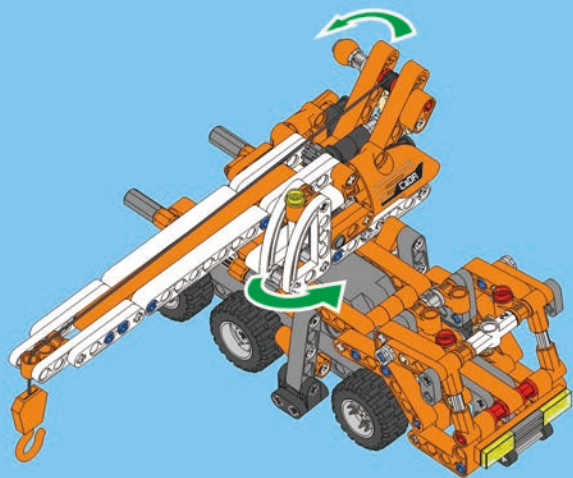


A32

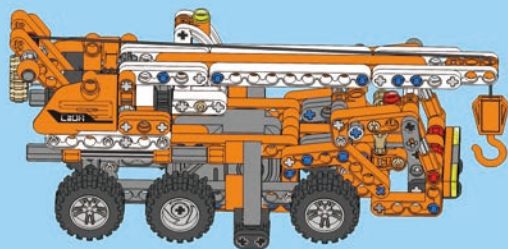




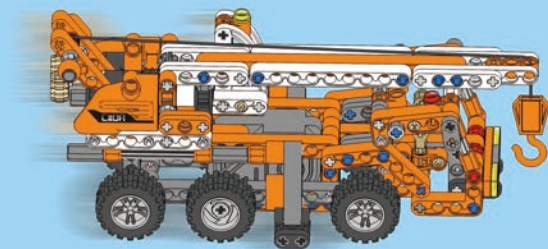




1



2



- | | | | | | | | |
|--|---|---|--|--|---|--|---|
| 
x1
06.10.01.000039 | 
x1
JB1001.01 | 
x5
JH1019.04 | 
x1
JH6027.01 | 
x6
JJ5026.03 | 
x9
JH0011.01 | 
x2
JJ6005.06 | 
x2
JJ7013.07 |
| 
x4
JH1018.01 | 
x2
JB1001.05 | 
x2
JH5044.01 | 
x1
JH6036.01 | 
x1
JM0016.01 | 
x17
JH0013.01 | 
x2
JJ6006.07 | 
x2
JJ7014.08 |
| 
x9
JH1017.01 | 
x4
JJ4022.01 | 
x18
JH2016.01 | 
x1
JH6035.04 | 
x1
JX9029.01 | 
x2
JH0005.01 | 
x1
JJ6006.08 | 
x2
JJ7014.08 |
| 
x2
JH2015.01 | 
x2
JJ4022.02 | 
x2
JH2043.01 | 
x1
JH6035.04 | 
x1
JX9029.01 | 
x2
JH0004.01 | 
x1
JJ6006.08 | 
x2
JJ7014.08 |
| 
x5
JH2014.01 | 
x4
JH5041.01 | 
x2
JH2043.01 | 
x2
JJ4025.02 | 
x1
JA1011.04 | 
x2
JH0004.01 | 
x2
JJ6007.07 | 
x2
JJ6009.07 |
| 
x9
JH5041.07 | 
x9
JH5041.07 | 
x2
JH5054.05 | 
x4
JJ4025.04 | 
x1
JA1011.04 | 
x5
JH0007.01 | 
x2
JJ6007.07 | 
x2
JJ6009.07 |
| 
x1
JM0010.01 | 
x2
JH2024.01 | 
x1
JM0011.01 | 
x2
JJ4024.03 | 
x2
JM3019.01 | 
x3
JH0008.01 | 
x2
JJ7017.06 | 
x1
JJ6010.07 |
| 
x1
JF3043.02 | 
x24
JH2025.01 | 
x2
JH6050.01 | 
x2
JJ4024.03 | 
x4
JM4003.01 | 
x1
JH0009.01 | 
x1
JJ7011.07 | 
x2
JJ6010.05 |
| 
x10
JH5001.01 | 
x2
JJ6018.04 | 
x2
JH6050.01 | 
x6
JJ4023.03 | 
x4
JM4003.01 | 
x3
JJ6003.06 | 
x6
JJ7011.08 | 
x1
JX4045.06 |
| 
x1
JX8001.03 | 
x4
JJ6018.01 | 
x4
JH6039.01 | 
x2
JJ4028.02 | 
x6
JR4002.01 | 
x4
JJ6004.08 | 
x2
JJ7011.06 | 
x1
JX4045.05 |
| 
x2
JA3029.08 | 
x10
JH5032.02 | 
x1
JH6039.06 | 
x2
JJ4028.02 | 
x6
JR4002.01 | 
x4
JJ6004.08 | 
x2
JJ7011.06 | 
x1
JV.5003.01 |
| 
x1
JA3029.06 | 
x4
JH5026.04 | 
x3
JH5020.01 | 
x2
JJ5027.01 | 
x2
JH0046.01 | 
x3
JJ6005.08 | 
x2
JJ7012.08 | |



Double E

CaDA TECHNIC

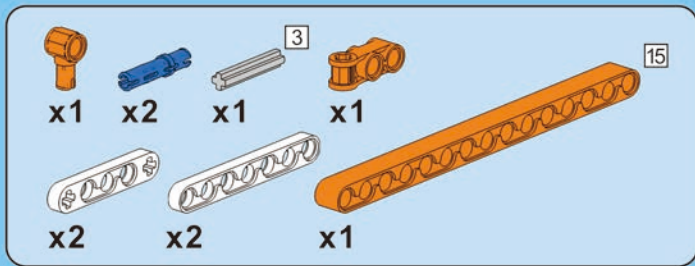
Building Blocks
Pull Back Running Function



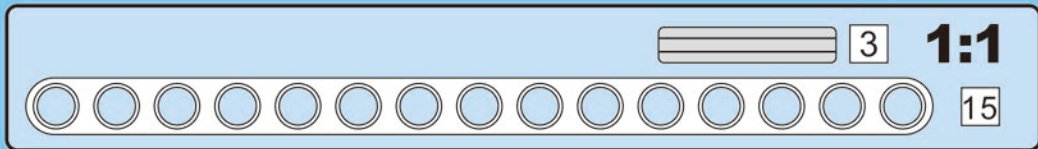
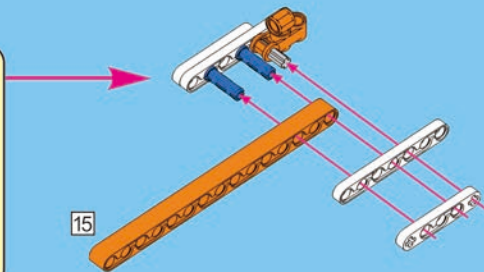
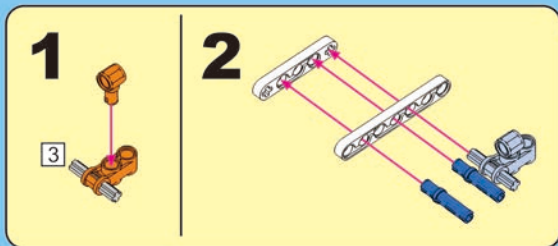
C52013

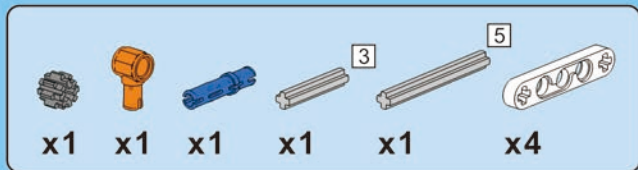


C52014

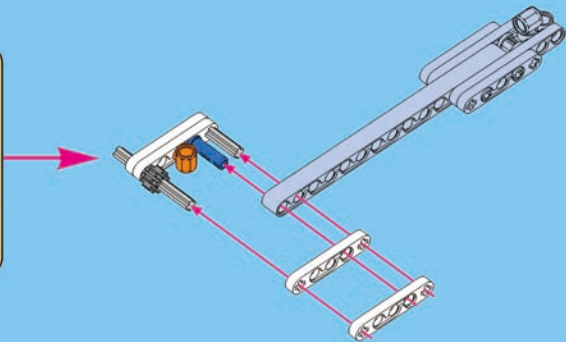
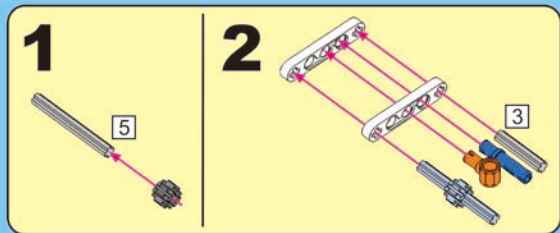


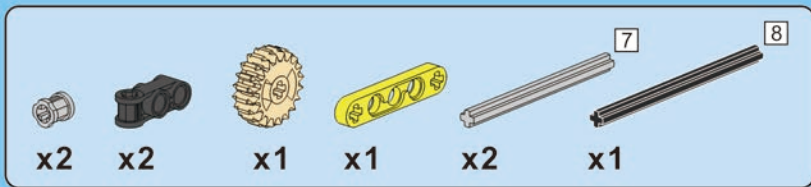
B1



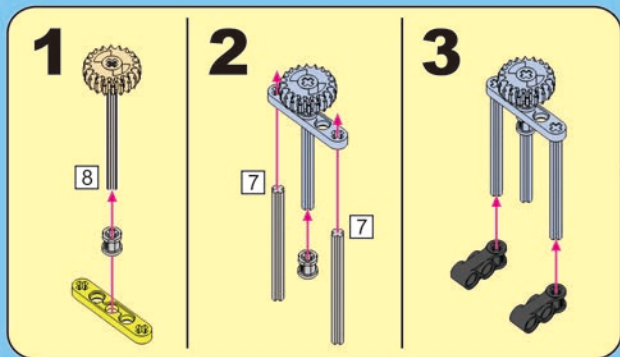


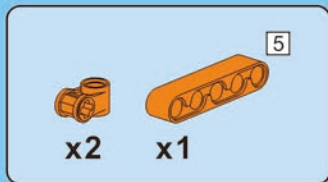
B2



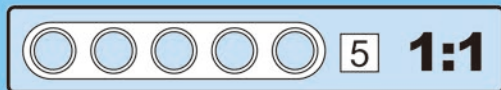
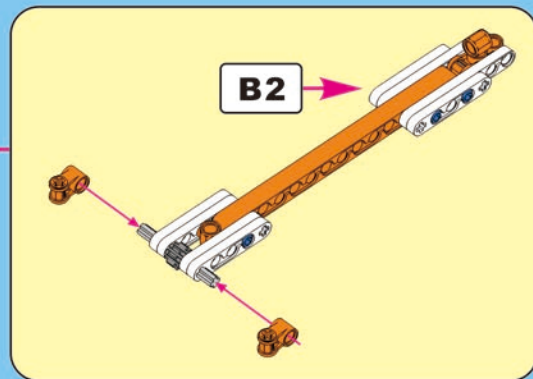
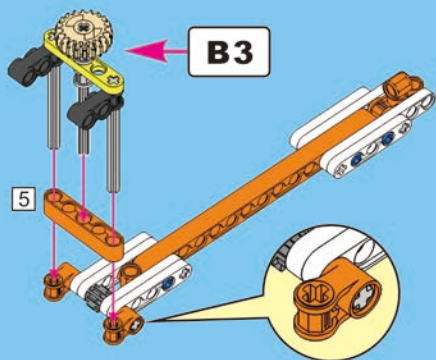


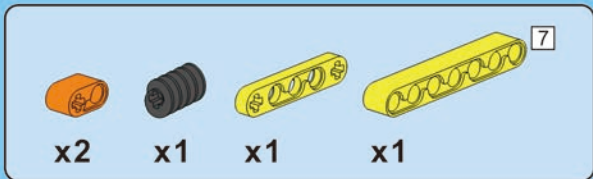
B3



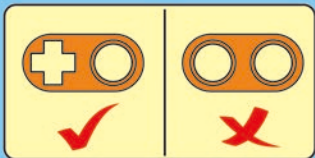
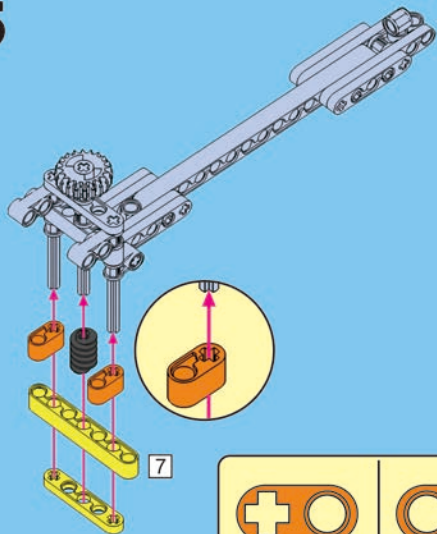


B4

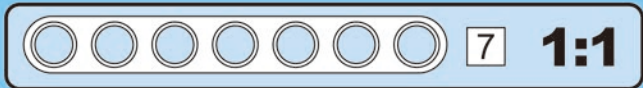
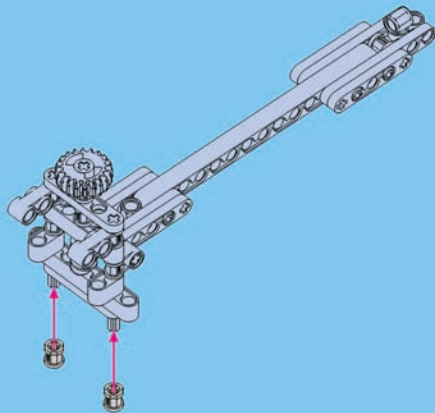


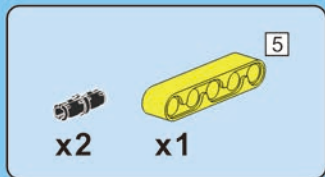


B5

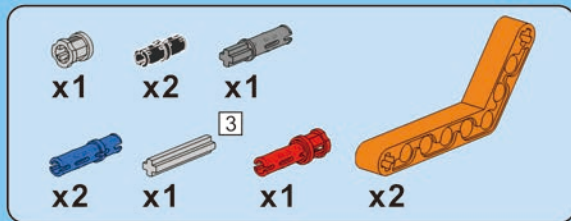
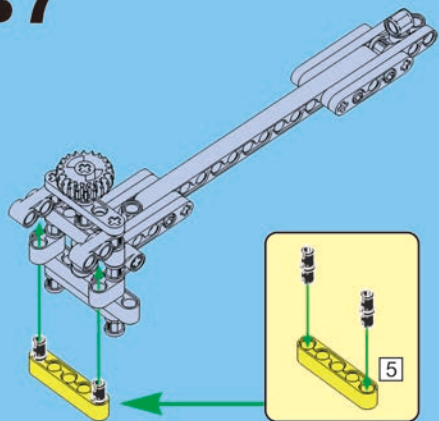


B6

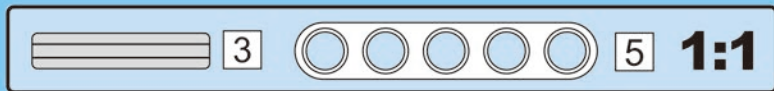
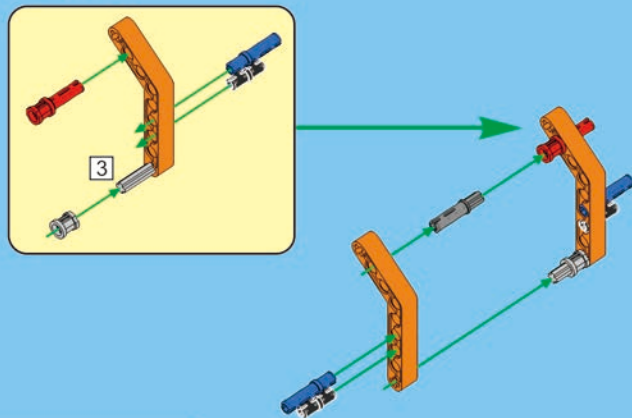


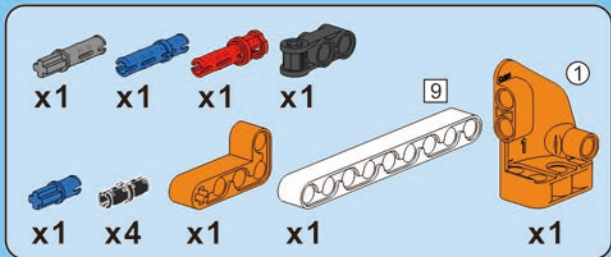


B7

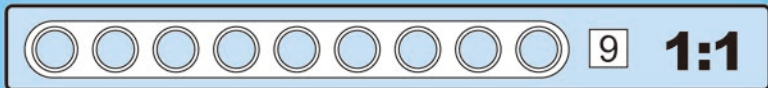
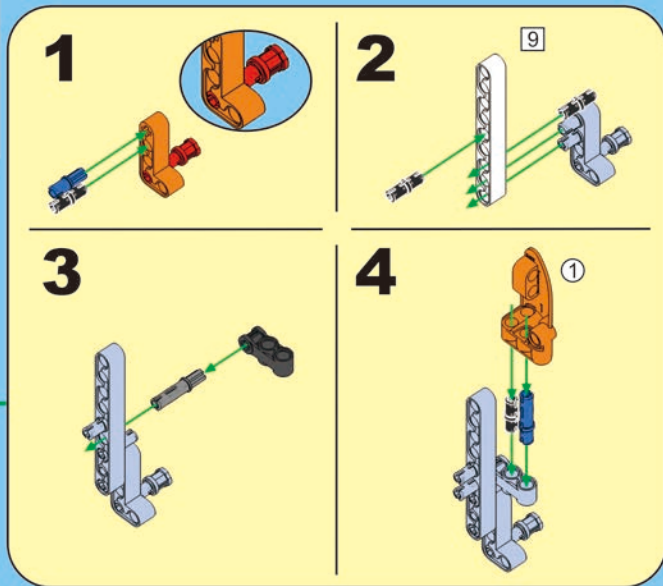
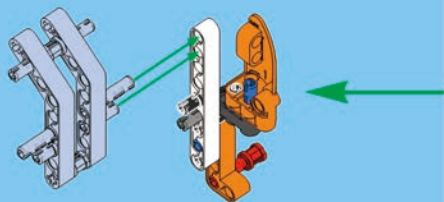


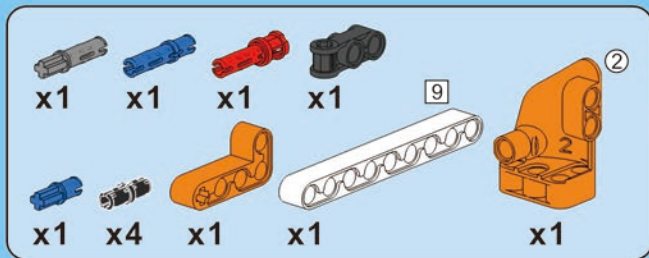
B8



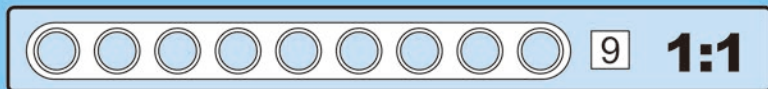
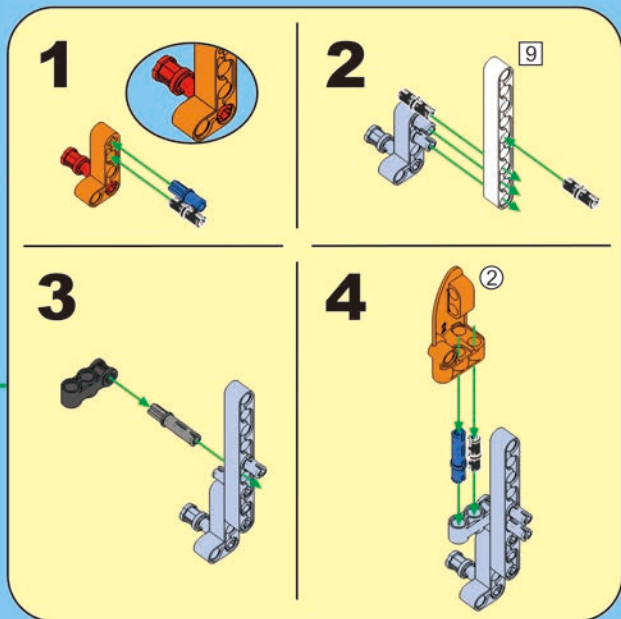
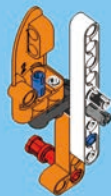


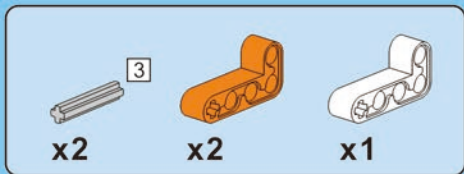
B9



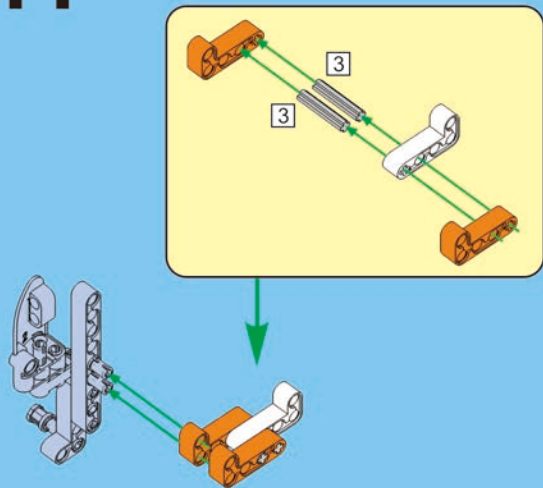


B10

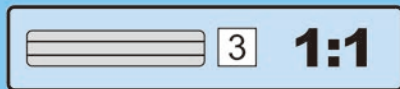
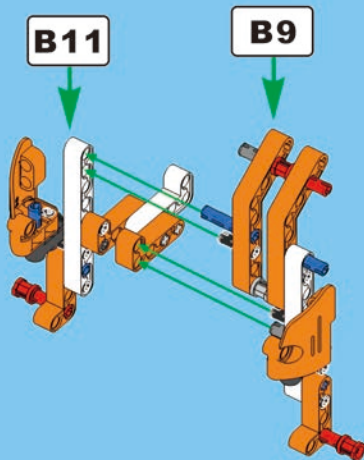




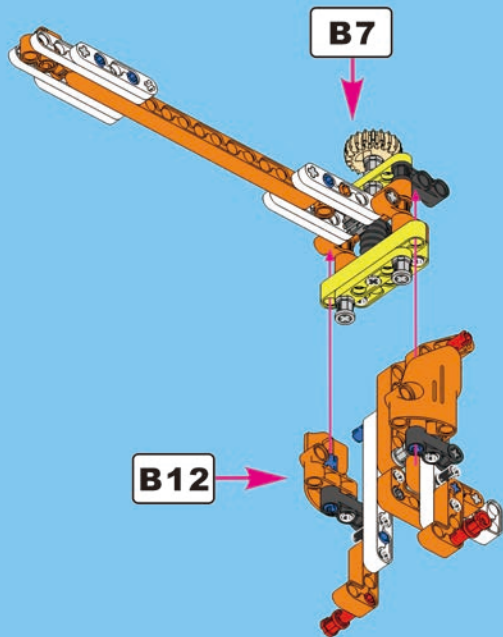
B11



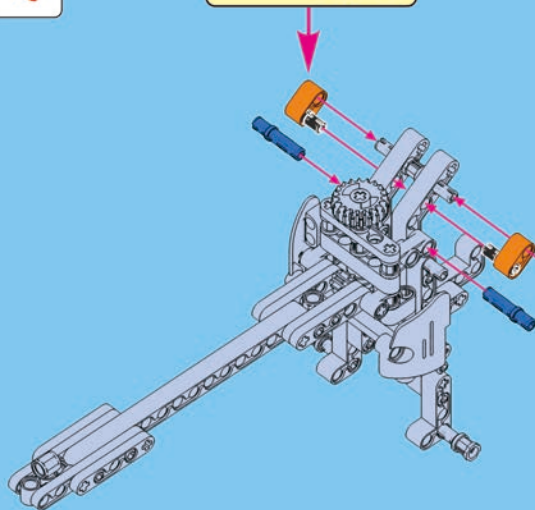
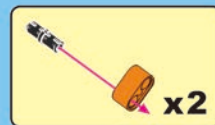
B12

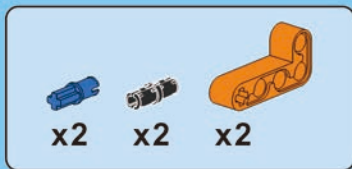


B13

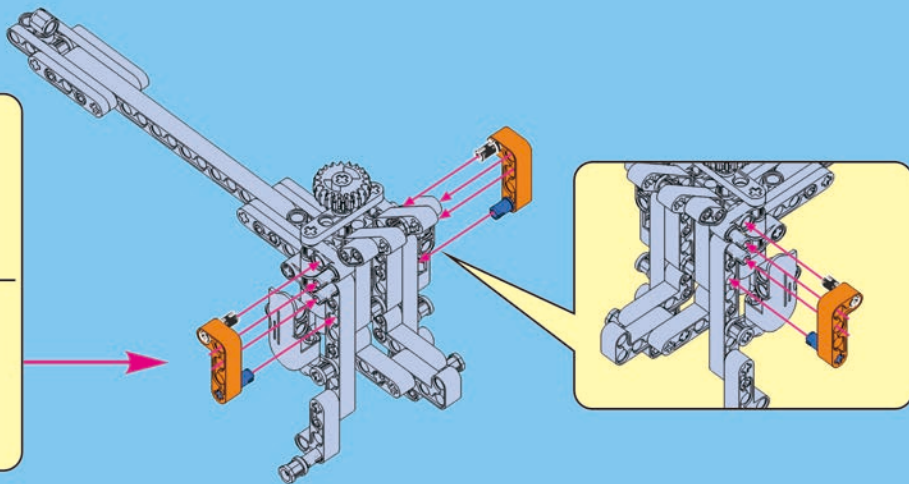
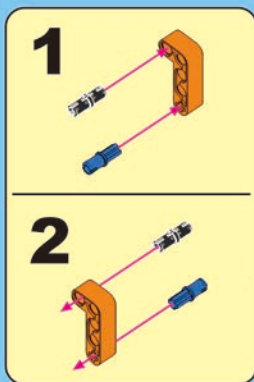


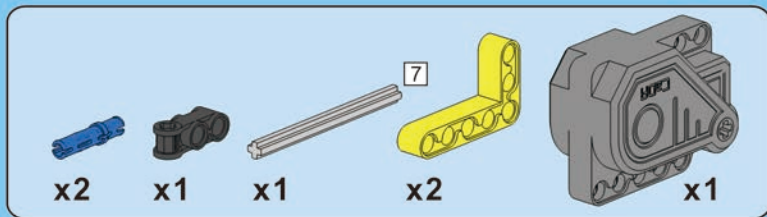
B14



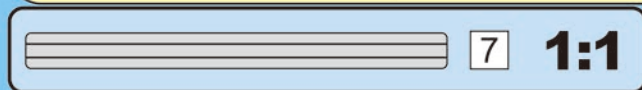
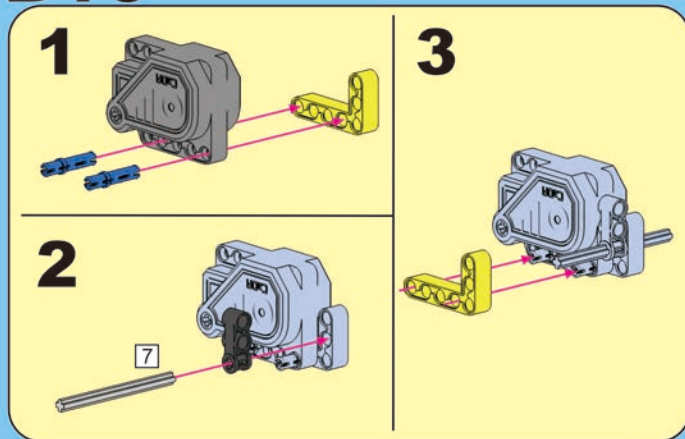


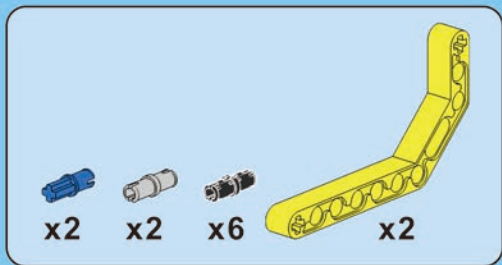
B15



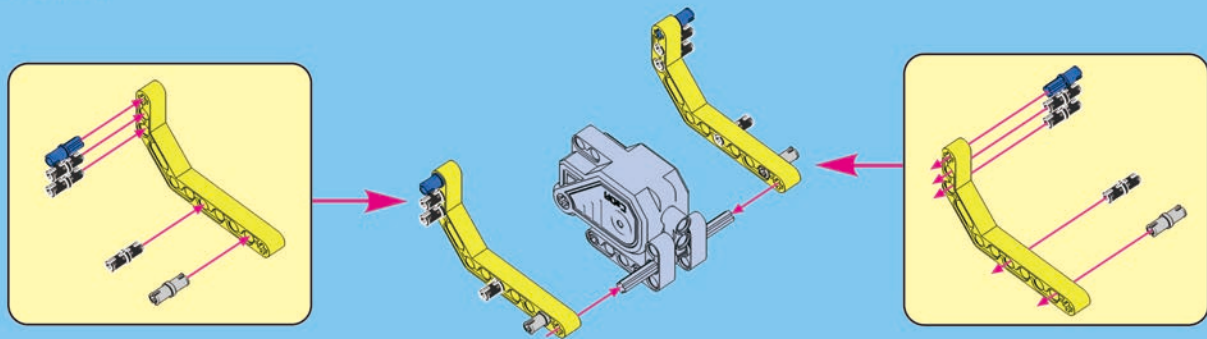


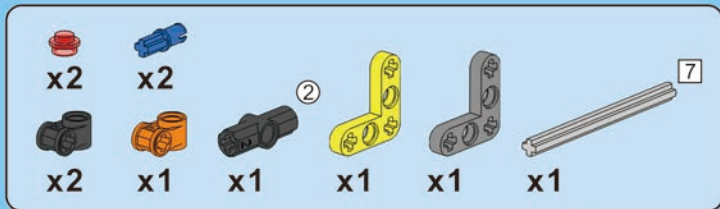
B16



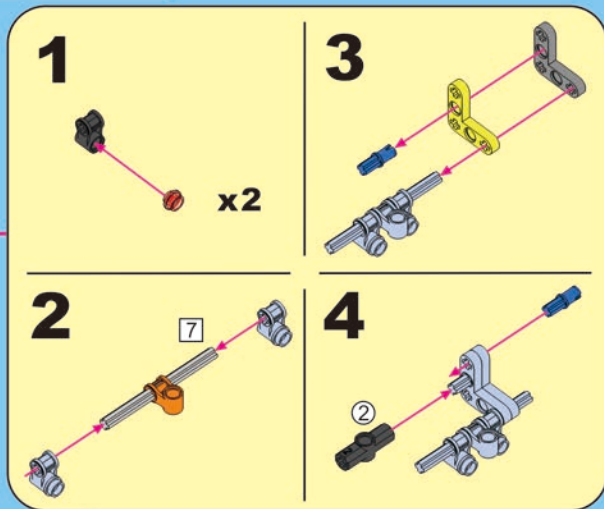


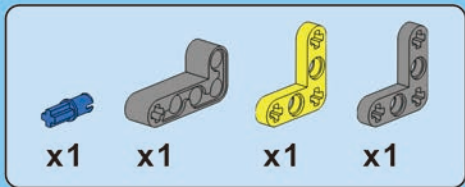
B17



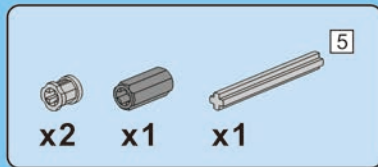
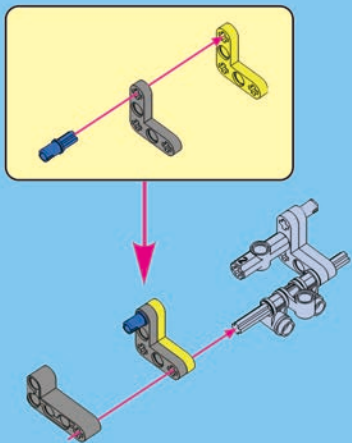


B18

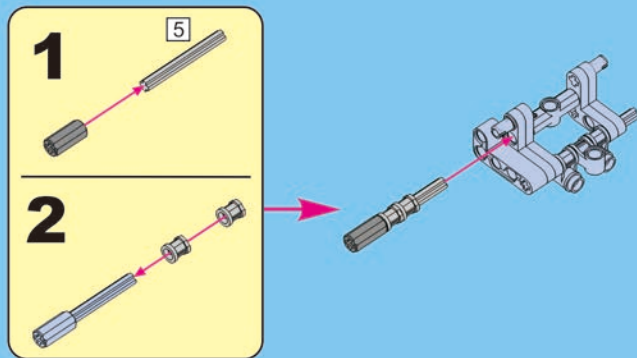




B19

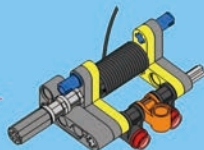
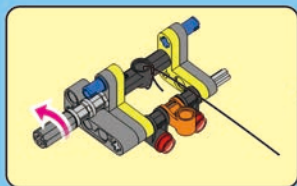


B20





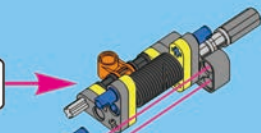
B21



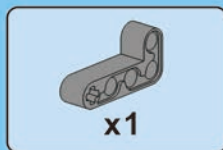
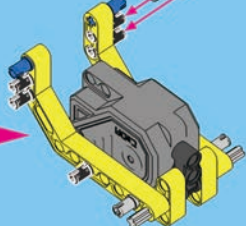
B22



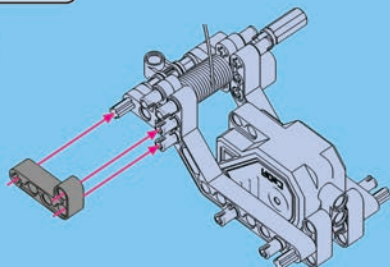
B21



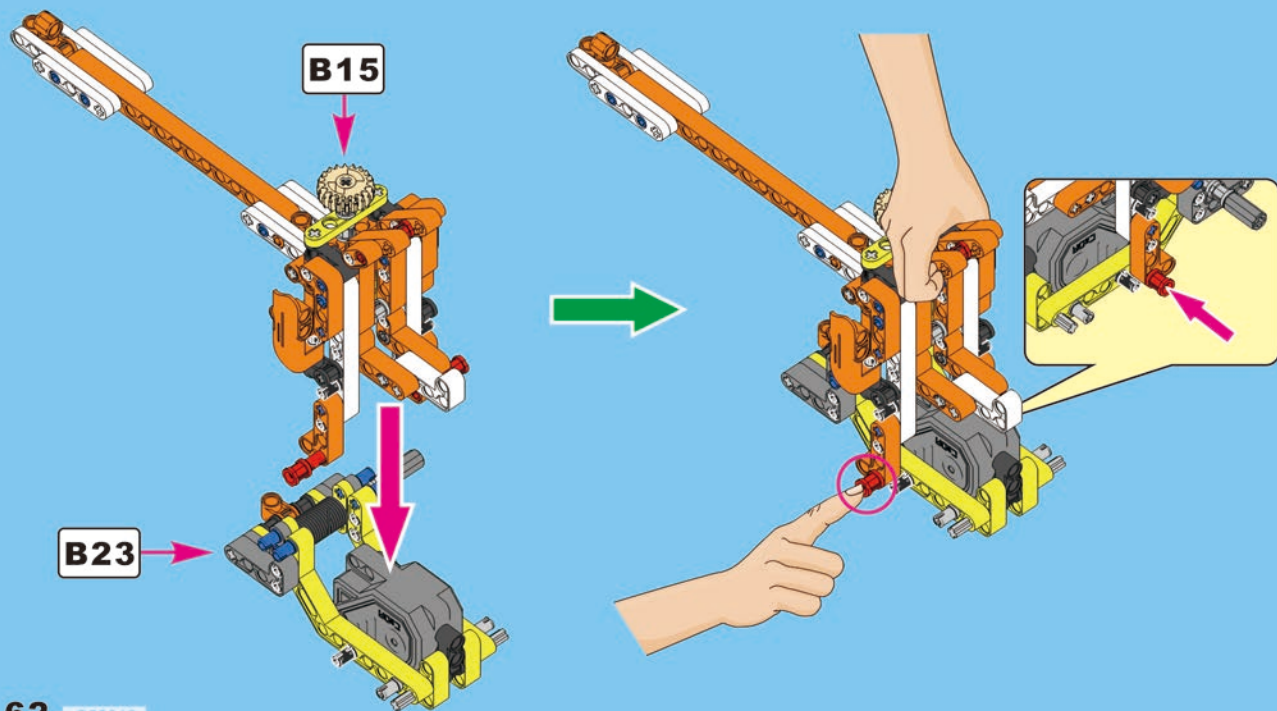
B17

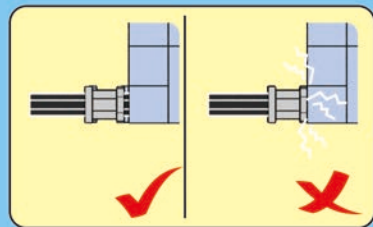


B23

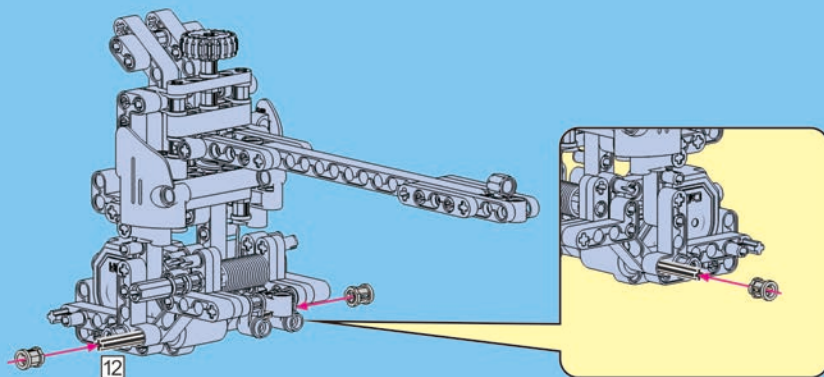


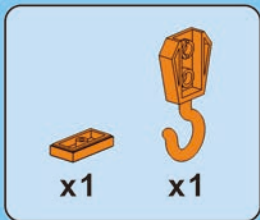
B24



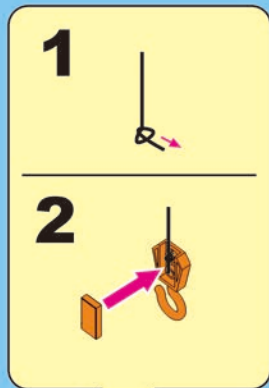
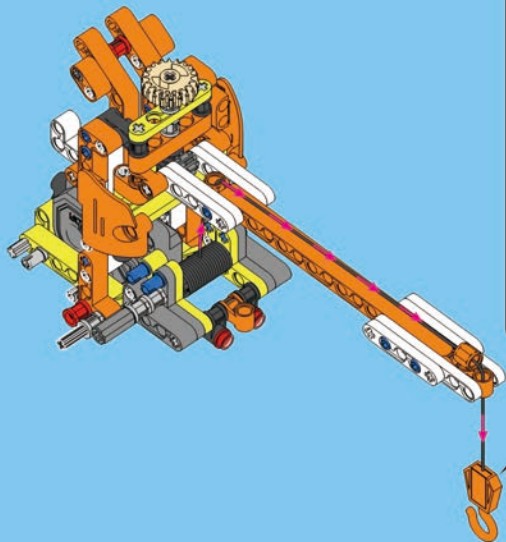


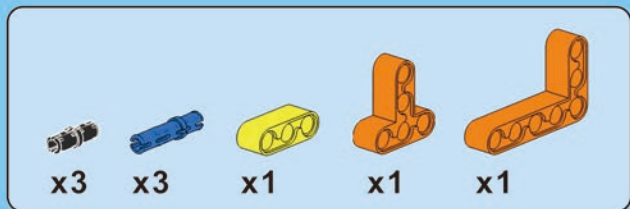
B25



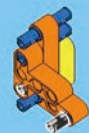
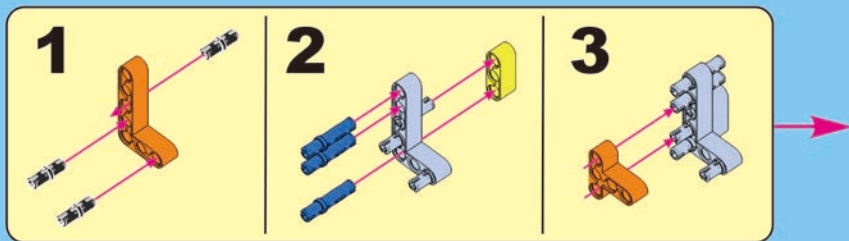


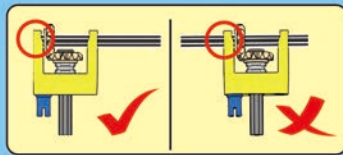
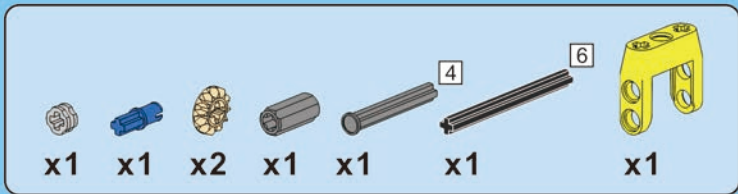
B26



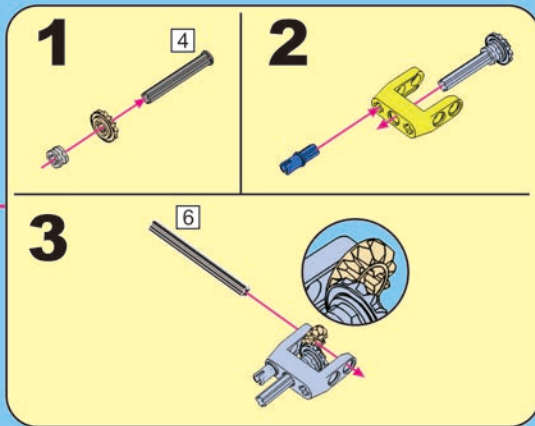
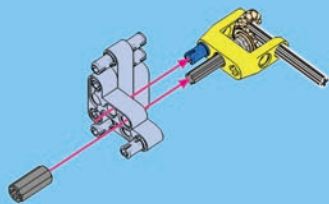


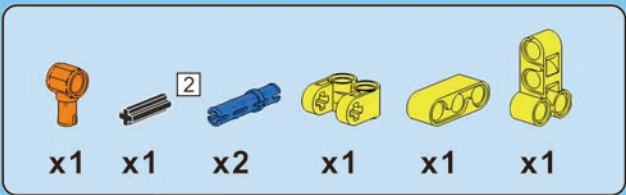
B27



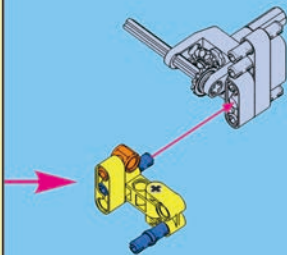
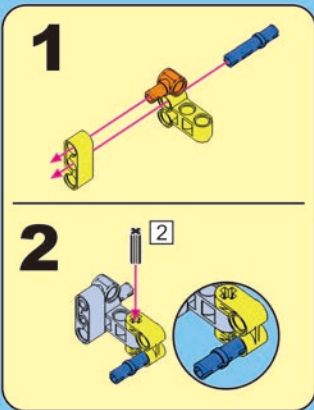


B28

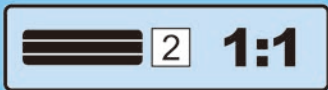
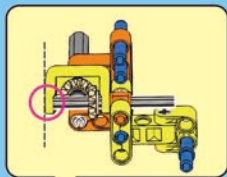
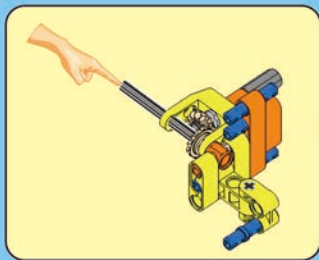


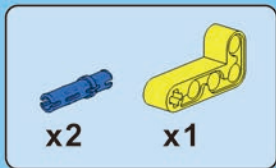


B29

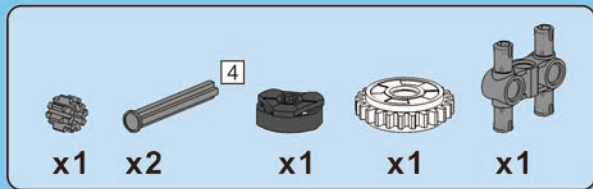
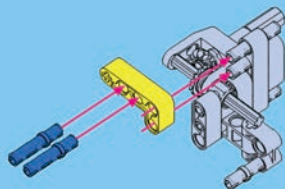


B30

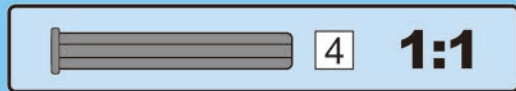
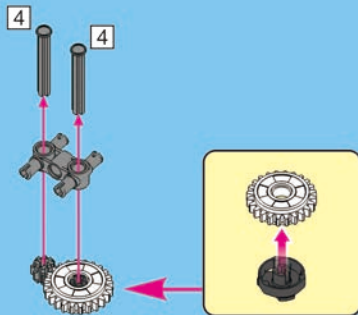


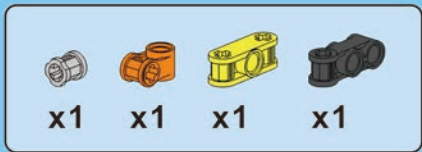


B31

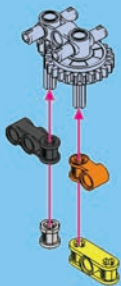


B32

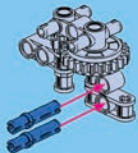




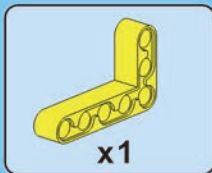
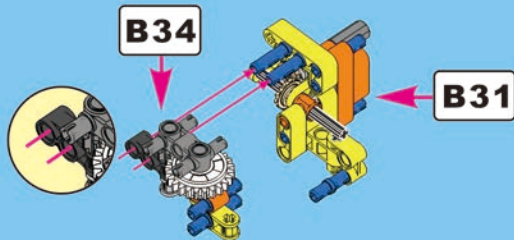
B33



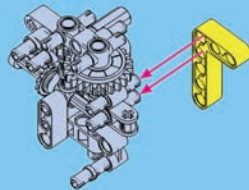
B34



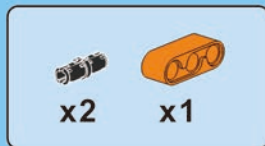
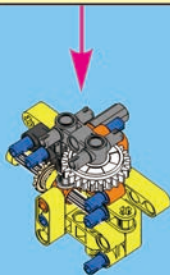
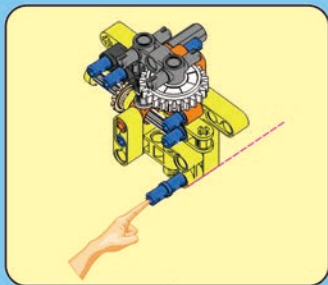
B35



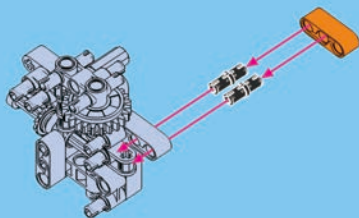
B36

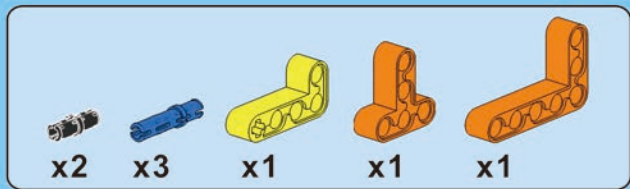


B37

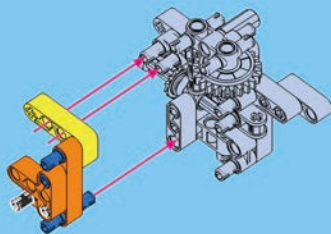
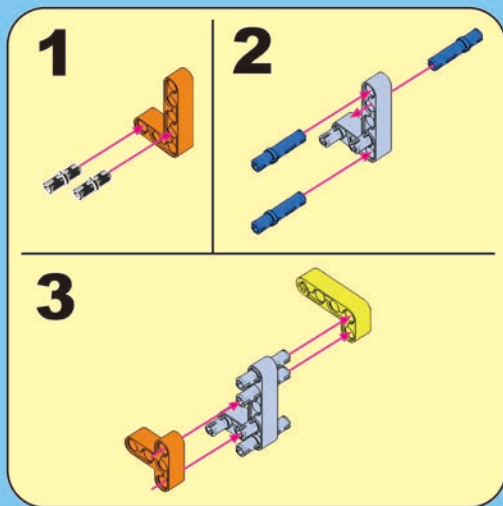


B38

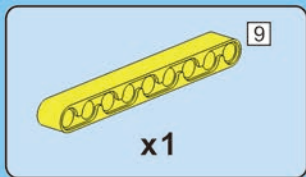




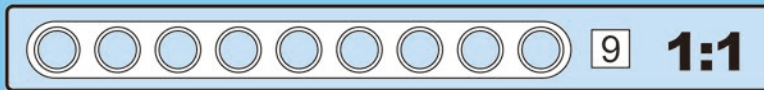
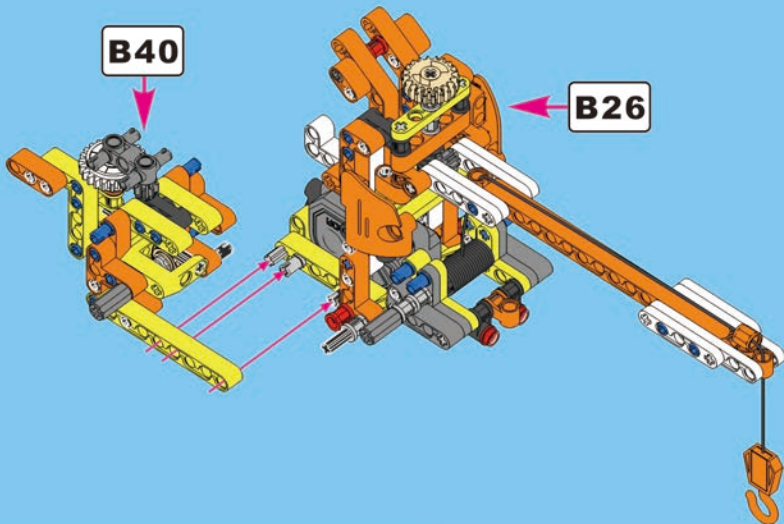
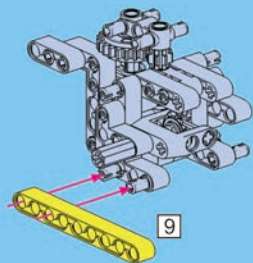
B39

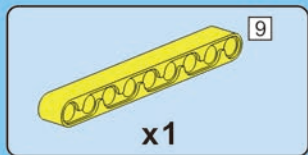


B41

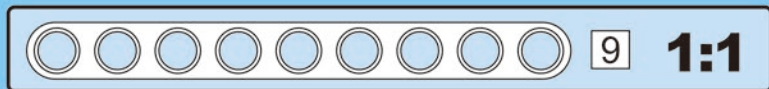
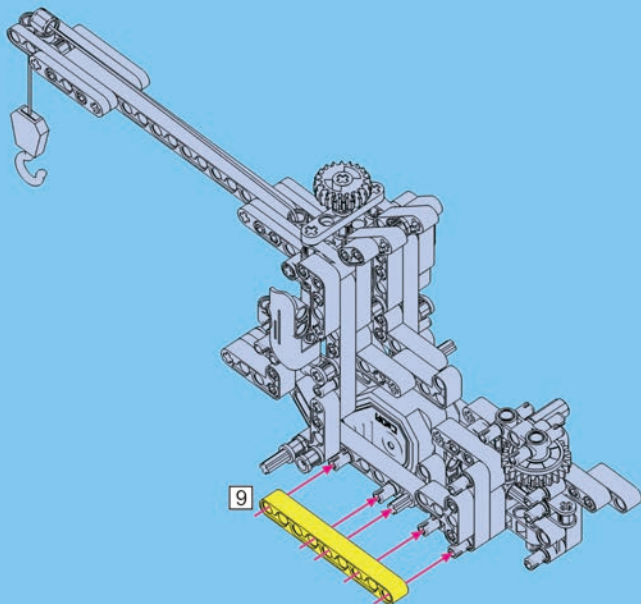


B40





B42



Изготовитель: TAIZHOU WANCHANG ELECTRONIC
TECHNOLOGY CO., LTD

Адрес: Room 906, B1, Daziran Building, Tang Jia Qiao Road,
Wenzhou, Китай.

Импортер: ООО «Максимэйн».

Адрес: 117105, Российская Федерация, Варшавское шоссе,
д.37А, офис 107

Основной конструкционный материал: пластик.

Страна происхождения: Китай.

Дата изготовления: март 2018.

Срок годности: не ограничен.

Срок службы: 10 лет.

Специального ухода не требуется.

